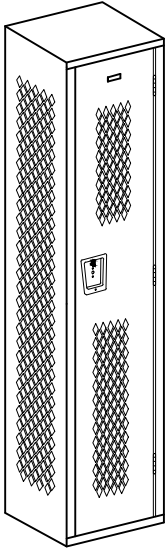
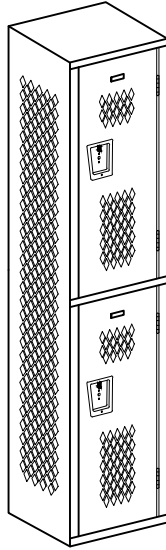


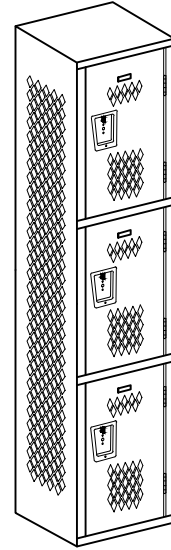
Athletic Series Lockers



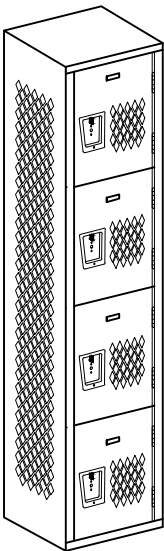
ONE TIER



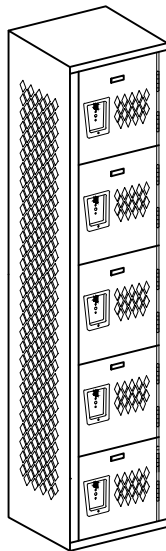
TWO TIER



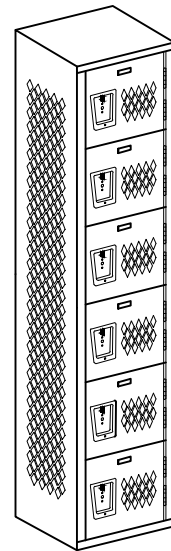
THREE TIER



FOUR TIER



FIVE TIER

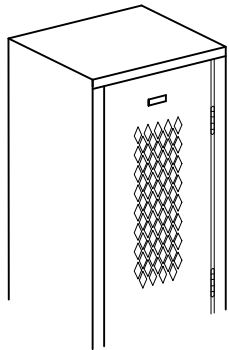


SIX TIER

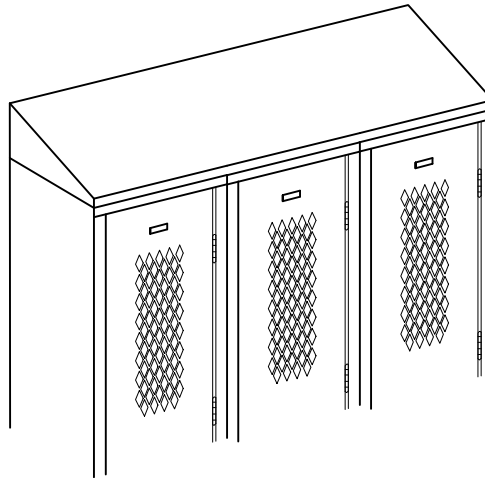
Specifications

- **Body:** Backs constructed of mild cold rolled 18 ga. commercial grade steel. Bottom, sides, top, and shelves constructed of 16 ga. commercial grade steel. Bolt spacing shall not exceed 9" off center.
- **Door:** Cold rolled 14 ga. commercial grade steel. Channel shaped on lock and hinge side with angle formations across the top and bottom. Each door shall have a polished aluminum number plate riveted to the face of the door with ½" high black numerals.
- **Door Frame:** Cold rolled 16 ga. commercial grade steel. Channel shaped, with vertical sides having an additional flange to act as a continuous door strike.
- **Finish:** Commercial grade steel cleaned and treated with a phosphate process. Finished coat baked on, powder coated enamel.
- **Color:** Doors and exposed body parts available in colors from AJW standard color selection.
- **Hinges:** 2" five knuckle hinge pairs: 2 per door (3 pairs on doors 48" or larger), or full length 16 ga. piano hinge, riveted to frame and door.
- **Latch / Handle:** 20 ga. deep drawn stainless steel cup, able to accommodate locks. 14 ga. stainless steel lifting trigger. Padlock eye to accommodate 5/16" diameter padlock shackle. Three point latch mechanism, engaging the frame at (3) points on doors greater than 42" in height; (2) engaging points on all other doors. Rubber silencer attached to frame at each latch hook location. Single Point Latch available -- 11 ga. Steel hook with padlock hasp welded to door frame. Padlock hasp protrudes through stainless steel cup.
- **Interior:** Shelves included on all lockers 48"H and up. Two wall hooks and one ceiling hook included on all lockers. Coat rod included on all lockers 18" D.
- **Assembly:** All locker components assembled with rivets (nuts and bolts available upon request). All welded construction as a single unit available (shipped pre-assembled).

Tops



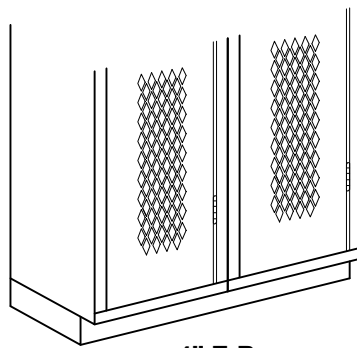
Flat Top



Continuous Slope

18 Ga. commercial grade steel, powder coated to match locker color. Continuous slope tops up to 72" in length. (Longer lengths connected with slip joints at splice locations.)

Bases



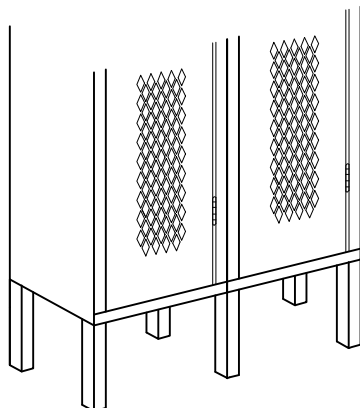
4" Z-Base

Z-Bases: 14 Ga. commercial grade steel

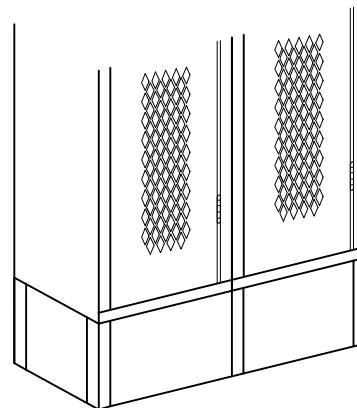
6" Legs: 16 Ga. commercial grade steel

Closed Front End: 18 Ga. commercial grade steel

All powder Coated to match locker color.

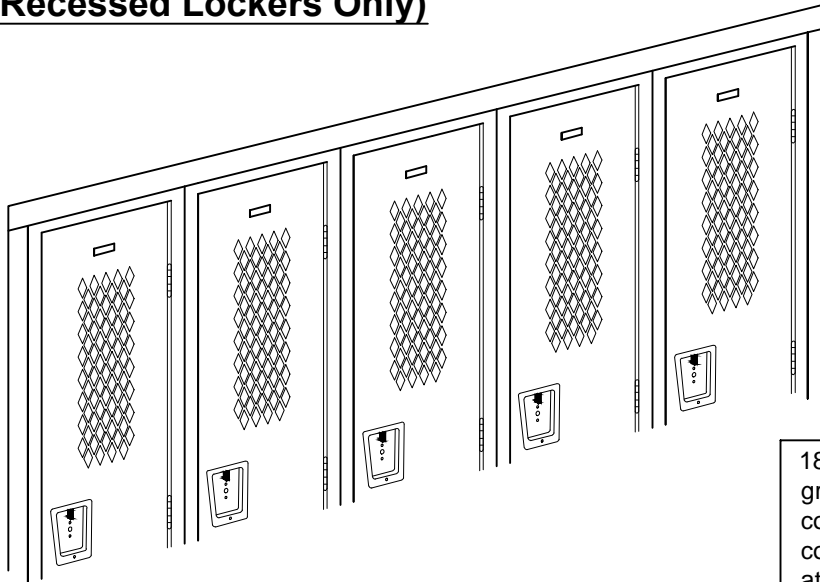


6" Legs



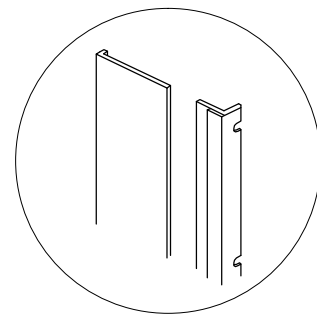
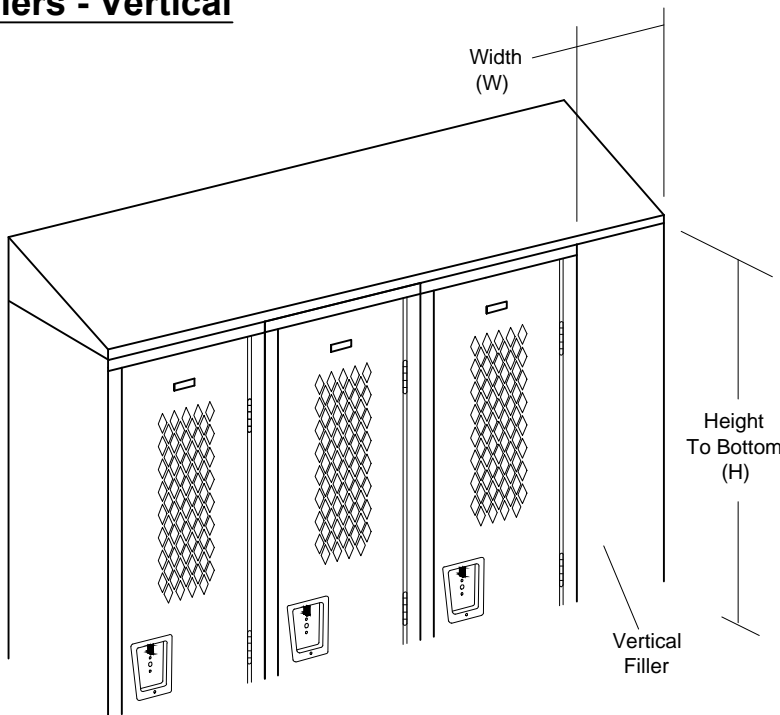
Closed Front End

Trim - (Recessed Lockers Only)



18 Ga. commercial grade steel trim, powder coated to match locker color. Trim face attached to lockers with concealed clips and endcaps.

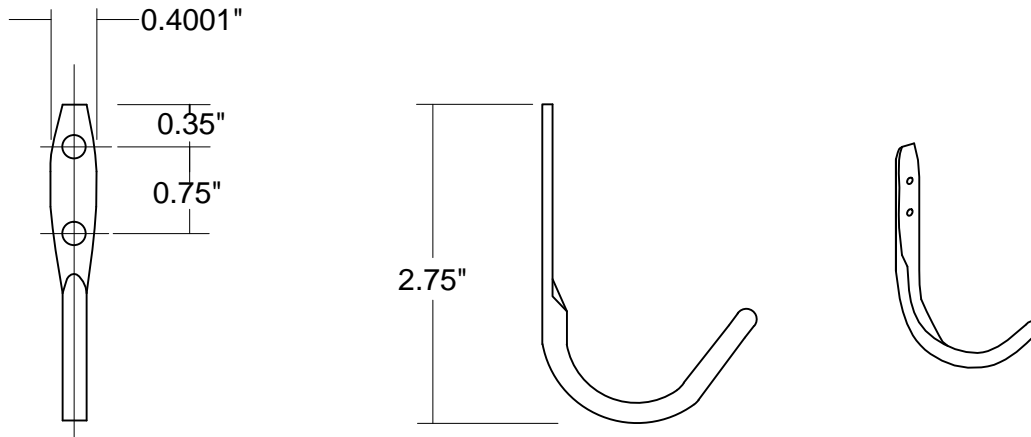
Fillers - Vertical



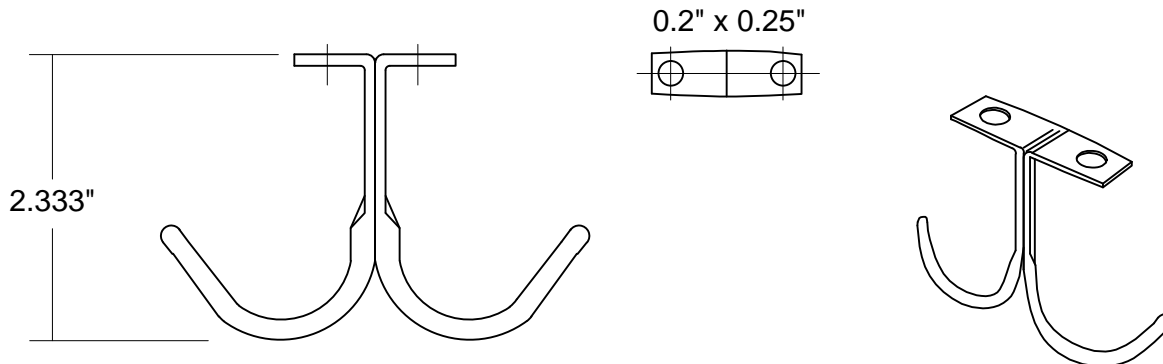
Slip Joint Detail

20 Ga. commercial grade steel, powder coated to match locker color. Fillers formed into an angle and connected with slip joints to create a smooth finish.

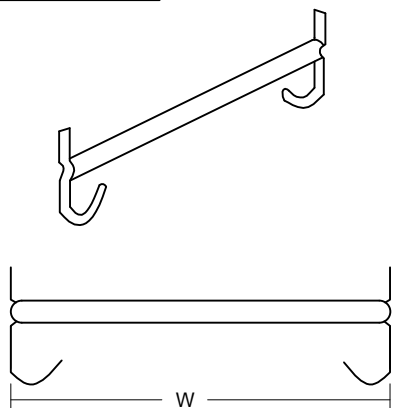
Single Prong Hook



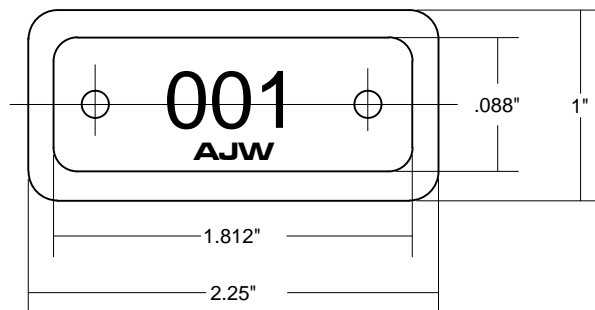
Double Prong Hook



Coat Rod & Hook



Number Plate



Standard Series

(W x D)	One Tier				Two Tier		Three Tier		Four Tier		Five Tier	Six Tier	2 Person
	36" H	48" H	60" H	72" H	60" H	72" H	60" H	72" H	60" H	72" H	60" H	72" H	72" H
12" x 12"	•	•	•	•	•	•	•	•	•	•	•	•	
12" x 15"	•	•	•	•	•	•	•	•	•	•	•	•	
12" x 18"	•	•	•	•	•	•	•	•	•	•	•	•	
15" x 15"			•	•	•	•	•	•			•	•	•
15" x 18"			•	•	•	•	•	•			•	•	•
18" x 18"			•	•	•	•	•	•			•	•	•

All heights are measured from flat top to flat bottom of locker. 6" legs available on all Standard Series lockers (add 6" to all heights above).

Athletic Series

(W x D)	One Tier		Two Tier		Three Tier		Four Tier		Five Tier	Six Tier
	60" H	72" H	60" H	72" H	60" H	72" H	60" H	72" H	60" H	72" H
12" x 12"	•	•	•	•	•	•	•	•	•	•
12" x 15"	•	•	•	•	•	•	•	•	•	•
12" x 18"	•	•	•	•	•	•	•	•	•	•
15" x 15"	•	•	•	•	•	•	•	•	•	•
15" x 18"	•	•	•	•	•	•	•	•	•	•
18" x 18"	•	•	•	•						
18" x 21"	•	•								
18" x 24"	•	•								
24" x 18"	•	•	•	•						
24" x 21"	•	•	•	•						
24" x 24"	•	•	•	•						

All heights are measured from flat top to flat bottom of locker. 6" legs available on all Athletic Series lockers (add 6" to all heights above).

Professional Series

(W x D)	One Tier
	72" H
24" x 18"	•
24" x 21"	•
24" x 24"	•
33" x 18"	•
33" x 21"	•
33" x 24"	•

Continuous Slope Tops

72" W (Std)	
D	H
12"	5"
15"	6"
18"	7"
21"	8"
24"	9"

Z-Bases

72" W x 4" H Front Base	
End / Splice Depth	12"
	15"
	18"
	21"
24"	
<i>Field cut front base as necessary.</i>	

Front & Closed Ends

Available W x D Combinations		
W	D	Size W x D x H
12"	12"	
15"	15"	
18"	18"	
24"	21"	
	24"	
6" H (Std)		

Trim for Recessed Lockers

L / R Side Trim	
W	H
3"	63"
	75"
Top Trim	
74" W x 3" H	
Splice	
2" W x 3" H	

Fillers

W	H
6"	60"
	66"
	72"
	78"
12"	60"
	66"
	72"
	78"