



UX70-BF

Toilet Tissue Dispenser

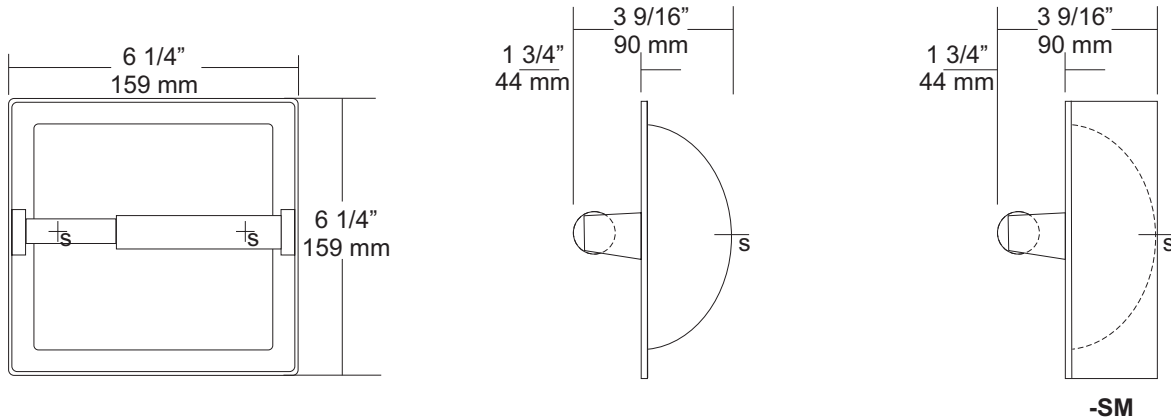
Revision 03/13

JOB #:

ITEM #:

QUANTITY:

MOUNTING	HANDING	TYPE	SIZE	OTHER



SPECIFICATIONS

Shell and Flange: Drawn one piece construction fabricated of #22 ga stainless steel with a bright finish. Two mounting points allow unit to be secured to mounting clamps or framing in wall opening.

Support Posts: Heavy duty cast Zamac with bright chrome finish to match shell.

Spindle: Spring loaded, chrome plated plastic roller.

Collars: #22 ga stainless steel finished to match unit.

Overall Size: 6 1/4"W x 6 1/4"H x 3 9/16"D
159mm x 159mm x 92mm

Wall Opening: 5 1/4"W x 5 1/4"H x 2"D
133mm x 133mm x 51mm

UX70-BF-SM: Surface Mounted Single Roll Dispenser

UX70-SF: Same as UX70-BF with satin finish.

UX70-SF-SM: Same as UX70-BF-SM with satin finish.

Optional U007 Theft Resistant Adapter: Prevents spindle from being removed until roll has been depleted.

INSTALLATION

Provide a wall opening at desired or specified area and coordinate with architect or contractor to avoid interference with pipes, vents etc. In wall. See specification for proper wall openings. Secure unit in wall opening with proper fasteners and clamps per application. Insert roller into roll core depress one side and install on posts.

Toilet Paper Dispensers: All dispensers that are to meet ADA code cannot have any type of controlled delivery. (4.16)

Mounting Clamps:
 B Clamp: Conventional type, secured to back side of front wall. (Used on UX70)
 C Clamp: For cement, mortar or mud-in installations.(Tile)

Note: Mounting Clamps are optional and must be ordered separately.

NOTES