



US23 Series

Security Towel Bar

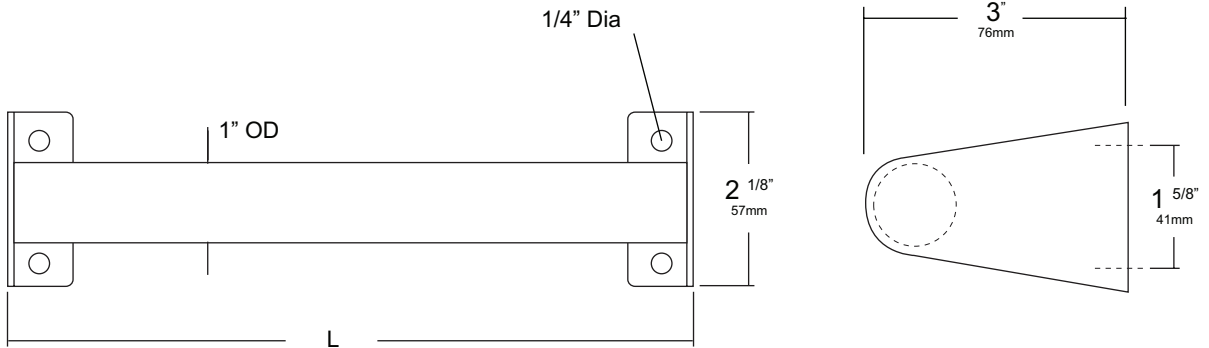
Revision 03/11

JOB #:

ITEM #:

QUANTITY:

MOUNTING	HANDING	TYPE	SIZE	OTHER



SPECIFICATIONS

Tubing: Fabricated of #18 gauge stainless steel with a #4 satin finish. Outside diameter of bar is 1" (25mm) and is heliarc welded to mounting brackets.

Mounting Brackets: Fabricated of #11 gauge stainless steel with a #4 satin finish to match bar. Each bracket has two exposed mounting points (3/16" OD) for securing to wall surface.

Note: Fasteners are not supplied with unit.

Overall Size: 2"H x 3"D

51mm x 76mm

Standard Lengths Available: 18", 24", 30"

INSTALLATION

Place towel bar on wall surface making sure unit is level, transfer mounting point locations. Drill pilot holes and secure with proper fasteners per each application. (Fasteners not included)

NOTES