



U842

Toilet Tissue Dispenser

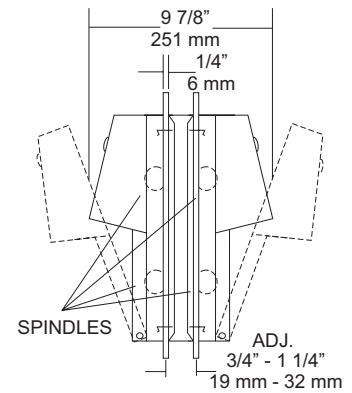
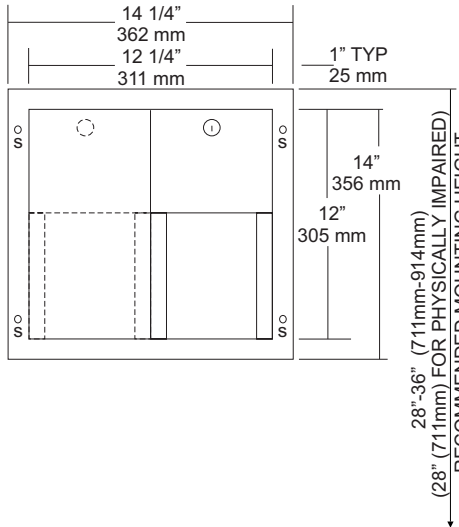
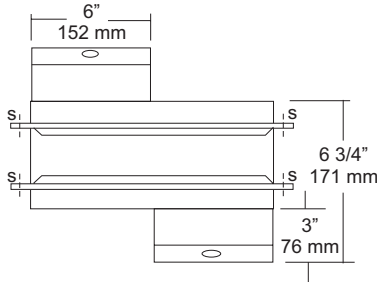
Revision 03/11

JOB #:

ITEM #:

QUANTITY:

MOUNTING	HANDING	TYPE	SIZE	OTHER



SPECIFICATIONS

- Body:** Fabricated of #22 ga stainless steel with #4 satin finish. Concealed inner dispensing mechanism is #18 ga stainless steel.
- Back:** Fabricated of #18 ga stainless steel with multiple welds to cabinet body forming a one piece construction.
- Hoods:** Fabricated of #18 ga stainless steel finished to match cabinet body. Hood is secured with stainless steel hinge rivets to cabinet body. Top roll of tissue will not drop down unless the bottom roll has been depleted. When unit is closed, this will provide a theft resistant, non-control operation and reduce vandalism.
- Flanges:** One piece construction without miters or welds fabricated of #22 ga stainless steel, #4 satin finish. Adjustable to fit 3/4" - 1 1/4" thick partitions.
- Locks:** Pin tumbler, commercial quality locks keyed like all other AJW cabinets.
- Spindles:** (U005) Fabricated of one-piece molded high impact black ABS material.
- Overall Size:** 14 1/4"W x 14"H x 9 7/8"D
362mm x 356mm x 251mm
- Wall Opening:** 12 1/2"W x 12 1/4"H
318mm x 311mm
- Capacity:** Four standard rolls with a 5 1/4" (133mm) OD.

INSTALLATION

Coordinate installation with architect or contractor. Provide a rough wall opening in mounting surface at desired or specified location making sure unit will be level. Open cabinet, remove spindles and adjustable flange. Insert into opening and secure unit with proper fasteners per each application. Secure adjustable flange with proper fasteners. Load toilet tissue on rollers, place in concealed track and close hood. Raise lower roll against upper and take hand away. Lower roll should fall into place with upper roll remaining up above the hood line. If loaded properly, top roll will not fall for use until bottom roll has been depleted. Follow same procedure for both sides. When servicing dispenser, full rolls must be used on both spindles to insure proper operation.

Toilet Paper Dispensers: All dispensers that are to meet ADA code cannot have any type of controlled delivery. (4.16)

NOTES

Formerly Model #: U842A