



# U169HF

## Roll Towel Dispenser

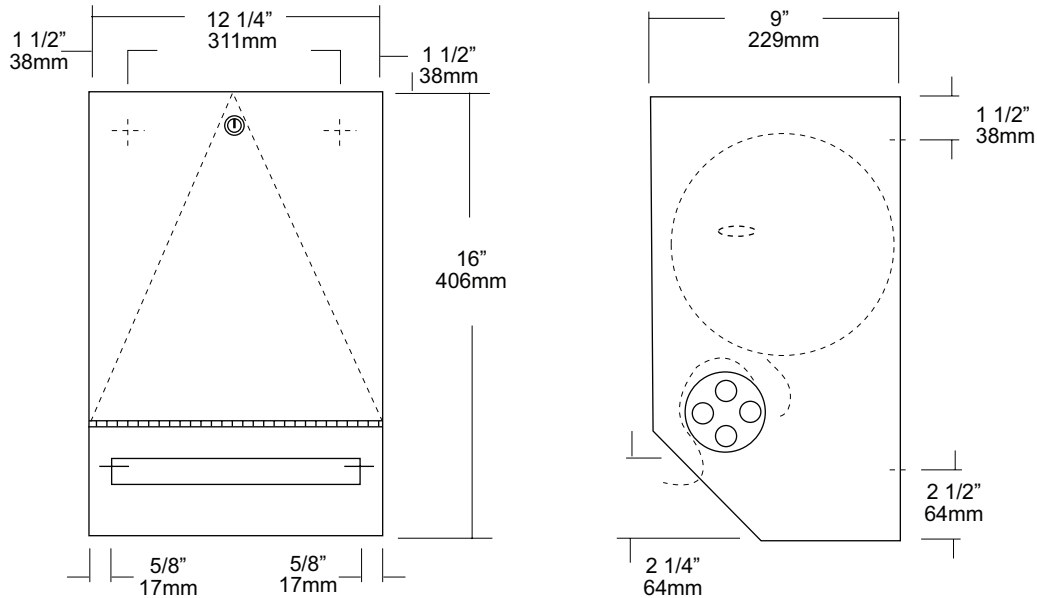
Revision 01/12

JOB #:

ITEM #:

QUANTITY:

MOUNTING	HANDING	TYPE	SIZE	OTHER



### SPECIFICATIONS

**Cabinet Body:** Fabricated of #22 gauge stainless steel with a #4 satin finish.

**Cabinet Door:** Fabricated of #18 gauge stainless steel with a #4 satin finish. Cabinet door is secured by means of a heavy duty, full length stainless steel piano hinge.

**Roll Towel Mechanism:** Internal mechanism is fabricated of high impact plastic. Manual side rotating knob with finger grips allow maintenance dept. To manually start paper being dispensed. Once the paper has started one hand operation to pull paper out allowing concealed roller to create perforation. This will allow the operator to tear the paper off with less than 5 lbs of force. When paper is torn, a starter piece will be partially exposed for the next towel to be dispensed without having to touch a lever, handle or crank.

**Overall Size:** 12 1/4"W x 16"H x 9"D

**263mm x 406mm x 229mm**

**Capacity:** One standard size roll of 8" or 9" wide. (Use only non-perforated towels). One stub roll up to 2 3/4" OD

**\*600ft roll recommended for best results.**

### INSTALLATION

Provide an area on mounting surface at desired or specified location. Coordinate installation with architect / contractor. Open cabinet door, place unit against wall making sure unit is level and transfer mounting points. Top of cabinet should be no higher than 48" above finished floor to comply with ADA Code. Secure cabinet to wall surface with proper fasteners for each application. Load towels in cabinet per instruction label.

### NOTES

Formerly Model #: U170HF