



Date

Project Name

Attn

From

Phone

Fax

Email

WASHROOM PARTITIONS | WASHROOM ACCESSORIES | STORAGE SYSTEMS | VISUAL DISPLAY PRODUCTS

509 TEMPLE HILL RD. NEW WINDSOR NY 12553 P. 845.562.3332 F. 845.562.3391 AJW.COM



U199EA

Roll Towel Dispenser

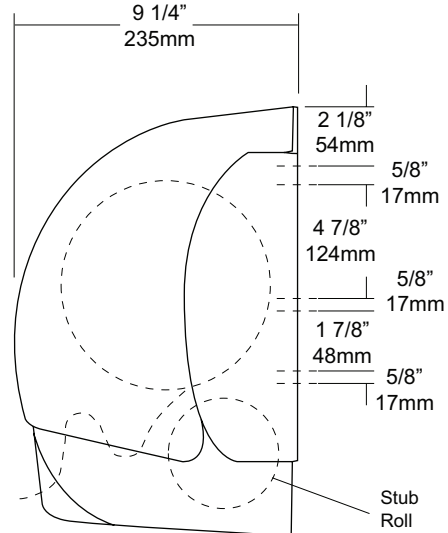
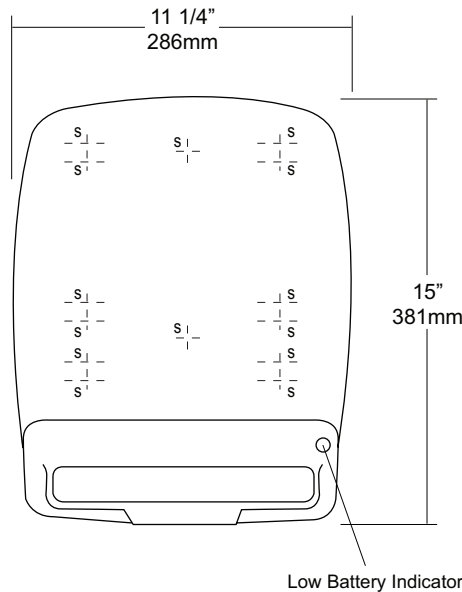
Revision 01/12

JOB #:

ITEM #:

QUANTITY:

MOUNTING	HANDING	TYPE	SIZE	OTHER



SPECIFICATIONS

Cabinet Body: Fabricated of high impact plastic.

Cover: Fabricated oh high impact translucent plastic. Cover is secured with a special keyed lock.

Mechanism: Internal mechanism is fabricated of high impact plastic operated by an automatic sensor with auto transfer system

Automatic Sensor: Is operated by four (4) D-cell batteries that are not included. After batteries and paper has been properly loaded, pass hands through sensor range to activate motor. After the unit has 30 seconds to calibrate, It is ready to dispense paper. It takes aprx. 6 dispenses to adjust to the proper paper length. After the sensor range has been interrupted, paper will not be dispenser until the sensor range has been cleared to reset. Three pre-length settings for paper and three, time delay settings for dispensing paper.

Overall Size: 11 1/4"W x 15"H x 9 1/4"D

Capacity: One standard size roll of 8" or 9" wide. (Use only non-perforated towels). One stub roll up to 2 3/4" OD

Power Requirements: The unit operates with four (4) "D" size alkaline batteries only. Other type of batteries are not recommended

INSTALLATION

Open cover and hold unit on wall surface at desired or specified location. Transfer mounting points to wall surface and provide pilot holes. Install batteries per instructions and snap protective cover over batteries. Secure cabinet to wall surface with proper anchoring devices per application.

Install paper towel per directions inside cabinet and secure cover, checking for proper operation. This hands free dispensing method will minimize cross contamination of the remaining towels inside the cabinet.

NOTES