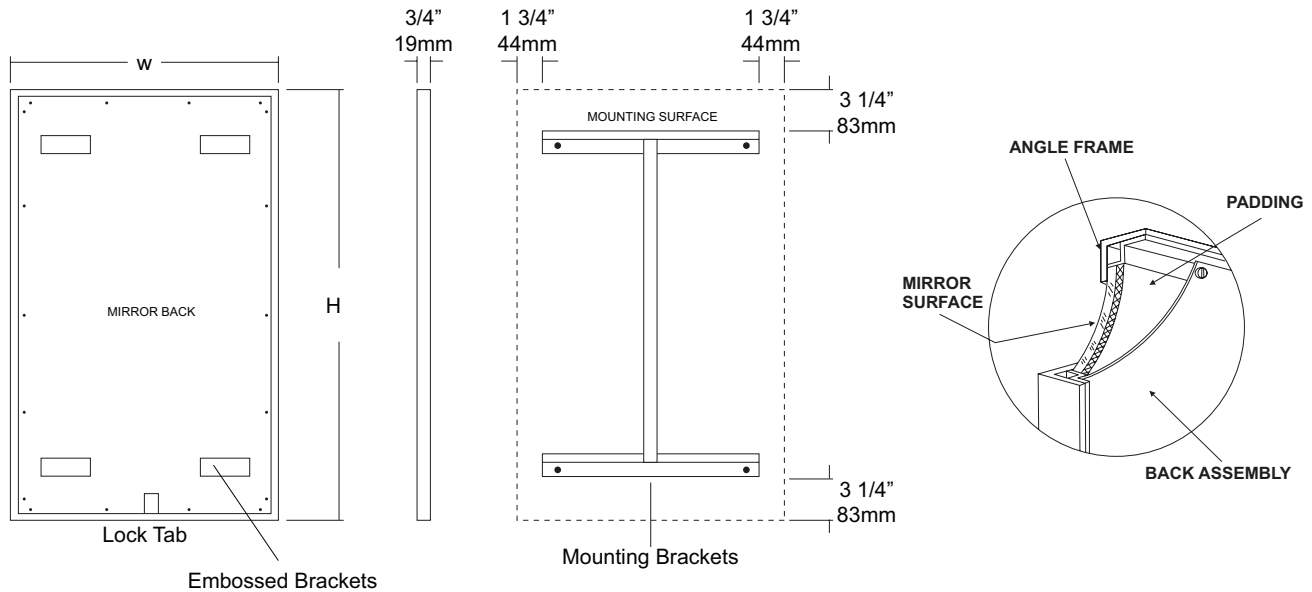


JOB #:

ITEM #:

QUANTITY:

MOUNTING	HANDING	TYPE	SIZE	OTHER
----------	---------	------	------	-------



### SPECIFICATIONS

**Frame:** Fabricated of #18 ga stainless steel, #4 satin finish. 3/4" x 3/4" frame with welded mitered corners are ground and polished smooth. #22 ga concealed "Z" channel is spot welded to inner perimeter of frame for reinforcement and greater rigidity.

**Mirror:** 1/4" thick type 1 transparent flat type, class 1 - clear glass mirrors. Mirror is coated with silver and sealed with a uniform electrolytic copper plating, along with two coats of paint for added protection. Mirrors are guaranteed against silver spoilage for a period of 15 years. Mirrors conform to ASTM C1036 and ASTM C1503-R8.

**Filler:** 3/16" thick full size, shock absorbing, water resistant, non-abrasive polyethylene padding protects all concealed mirror surfaces.

**Back:** #20 ga pre-plated galvanized steel, with embossed horizontal louver mounting brackets. Embossed theft resistant pressure activated clip lock device, locks mirror in place to wall hangers. Back is secured to frame with concealed Phillips head screws.

**Hangers:** Fabricated of #20 ga pre-plated steel galvanized steel with mounting points.

**Standard Sizes Available (W x H):** 16"x24", 16"x20", 16"x30", 18"x24", 18"x30", 18"x36", 20"x60", 24"x30", 24"x36", 24"x42", 24"x48", 24"x60", 24"x72", 18"x60", 24"x60", 18"x72"

**Mirrors conform to Federal Specifications DD-M-00411b & DDg- 541D.**

#### Options:

**VC:** Safety Glass(Vinyl clad)

**T:** Tempered Glass

**LG:** Laminated Glass

**PM:** Plastic Acrylic

**8B:** #8 Reflective s/s

**LX:** Polycarbonite

**Recommended max size-8B mirrors:** 72" x 47 1/2"

**Mirrors are always ordered Width x Height**

**Framed mirrors are fabricated to a tolerance of +/- 1/8".**

### INSTALLATION

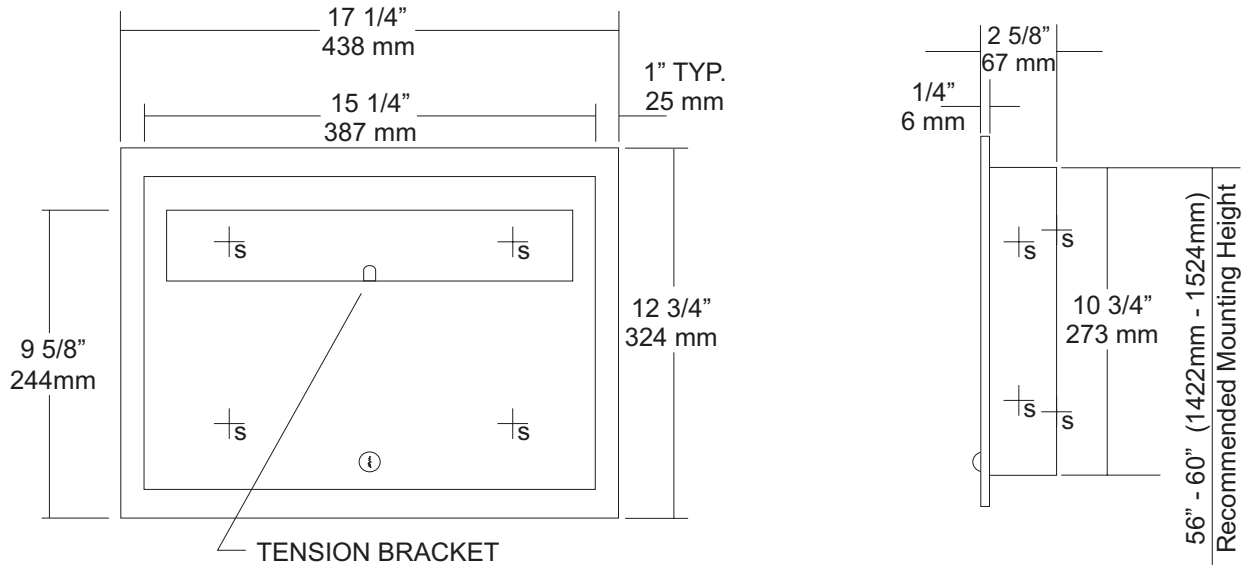
Coordinate installation with architect / contractor for specific mounting location and height for each mirror application. Making sure "I" bracket is level, transfer all mounting point locations to wall surface from drawing. Secure brackets with proper fasteners for each application. Slide mirror down over horizontal brackets until clip lock secures mirror in place. Mirror can only be removed by inserting tool through hole at bottom of frame depressing clip. This will allow mirror to slide up over brackets. Fillers are available if mirrors are mounted above and below tile line. (U004 Filler) filler material will match mirror frame to form a one piece construction.

To meet ADA Code, bottom edge of reflective surface can be no higher than 40" above finished floor. (4.19.6) Full length mirrors may be used for universal application when installed in correct locations.

Abrasive cleaners & chloric solutions should not be used on mirrors. Discoloring and /or scratching of frame and reflective surface may occur.

### NOTES

MOUNTING	HANDING	TYPE	SIZE	OTHER



**SPECIFICATIONS**

**Body:** Fabricated of #22 gauge stainless steel with a #4 satin finish on all exposed surfaces.  
**Flange:** #22 gauge stainless steel with 1/4" returns to wall without any miters.  
**Door:** Fabricated of #22 gauge stainless steel with a #4 satin finish.  
**Locks:** Pin tumbler, commercial quality locks keyed like all other AJW cabinets.  
**Overall Size:** 17 1/4"W x 12 3/4"H x 2 5/8"D  
**438mm x 324mm x 68mm**  
**Wall Opening:** 15 3/4"W x 11 1/4"H x 2 3/8"D  
**400mm x 286mm x 60mm**  
**U850-SM:** Surface mounted unit  
**Capacity:** 500 seat covers

**INSTALLATION**

Provide required wall opening at desired or specified location with coordination with architect or contractor to avoid interference with pipes, vents, etc. Unlock cabinet and place unit in opening. Secure to rough framing with proper fasteners per each application. Fill dispenser with product and secure cabinet door.

**NOTES**



# U862

## Waste Disposal & Toilet Tissue Dispenser Combination Unit

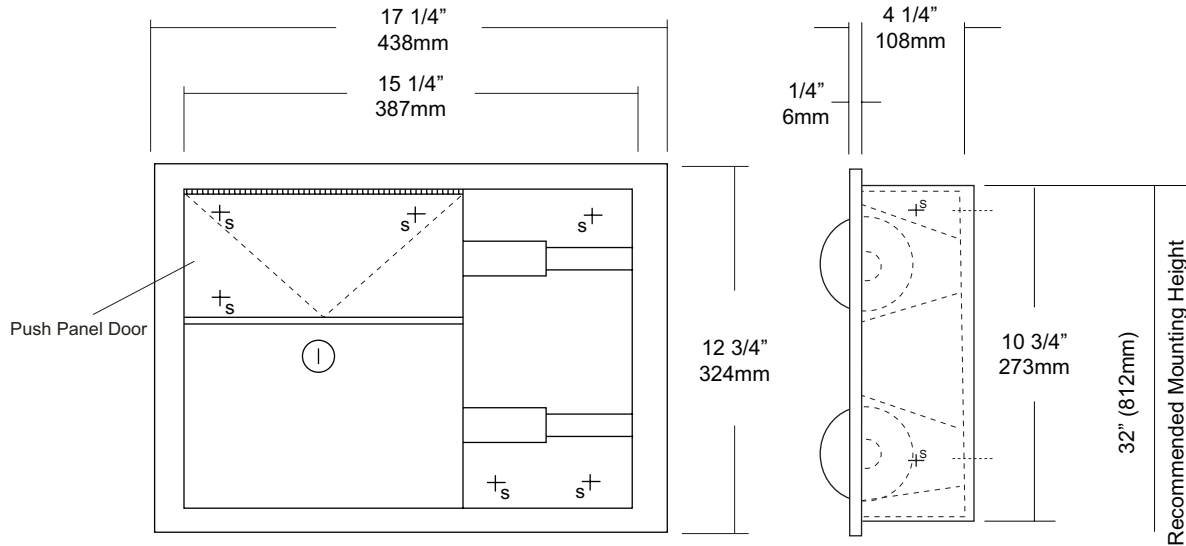
Revision 02/12

JOB #:

ITEM #:

QUANTITY:

MOUNTING	HANDING	TYPE	SIZE	OTHER



### SPECIFICATIONS

- Cabinet:** Fabricated of #22 gauge stainless steel. All exposed surfaces have a #4 satin finish.
- Flange:** Fabricated of #22 gauge stainless steel one-piece drawn seamless construction. No seams or exposed miters with 1/4" returns to wall surface.
- Napkin Disposal:** Self closing push panel door is fabricated of #22 gauge stainless steel. Removable Waste is fabricated of same material with pin tumbler lock. Waste is identified with International Graphic symbol.
- Toilet Tissue Dispenser:** #22 gauge stainless steel hat adapters secure chrome plated, spring loaded rollers in place.
- U007 Theft Resistant Adapter:** Prevents spindle from being removed until roll has been depleted.
- Hinges:** All hinges are full length, heavy duty, stainless steel piano type hinges.
- Collars:** #22 ga stainless steel finished to match cabinet.
- Overall Size:** 17 1/4"W x 12 3/4"H x 4 1/4"D  
438mm x 832mm x 108mm
- Wall Opening:** 15 3/4"W x 11 1/4"H  
400mm x 285mm
- Waste Capacity:** 2 Gallons (.26 cu ft)
- Toilet Tissue:** Two standard rolls with a 5 1/4" (133mm) OD.

### INSTALLATION

Provide rough wall opening at desired or specified location of 15 3/4"W x 11"H. (Depth of opening will depend on type mounting required.) Place lower unit in opening to ensure proper fit. If unit fits properly in opening, secure with proper fasteners per application. If collars are required, place collar onto the units from the back before securing to mounting area. Fill toilet tissue rolls.

Toilet Paper Dispensers: All dispensers that are to meet ADA code cannot have any type of controlled delivery. (4.16)

### NOTES



# UJ41 Series

## Mop Holder & Hook Strip Combination Unit

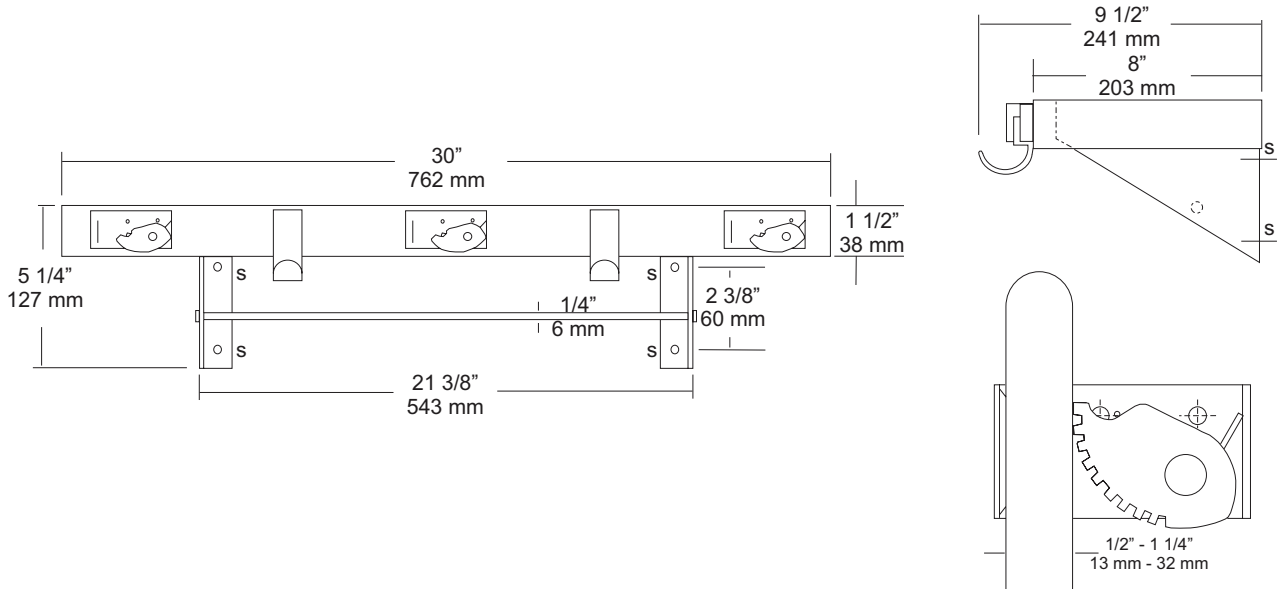
Revision 03/11

JOB #:

ITEM #:

QUANTITY:

MOUNTING	HANDING	TYPE	SIZE	OTHER



SPECIFICATIONS	INSTALLATION
----------------	--------------

**Shelf:** Fabricated of #18 ga stainless steel with a #4 satin finish, 8" deep (203mm) bent down 1 1/2" with 1/2" returns back for rigidity and safety.

**Mop Holders:** UJ19 plated reinforced steel with serrated cam type hard rubber mop or broom holder. Holds handles 1/2" to 1 1/4" diameter.

**Rag Hooks:** Fabricated of #18 ga stainless steel with a #4 satin finish.

**Mounting Brackets:** #16 ga stainless steel with exposed mounting points.

**Drying Rod:** 1/4" diameter stainless steel rod, secured to outside of support/mounting brackets with locking caps.

**Verify Style:**

**UJ41A:** 30"L (762mm) with 3 holders, 2 hooks.  
**Rod Length:** 21 3/8" (565mm)

**UJ41B:** 36"L (914mm) with 4 holders, 3 hooks.  
**Rod Length:** 27 3/8" (692mm)

**UJ41C:** 42"L (1066mm) with 5 holders, 4 hooks.  
**Rod Length:** 33 3/8" (845mm)

**UJ41D:** 48"L (1219mm) with 6 holders, 5 hooks.  
**Rod Length:** 39 3/8" (997mm)

Place unit to wall surface making sure unit is level and transfer mounting points. Drill pilot holes and secure unit with proper fasteners per application.

**NOTES**



# UX75-BF

Toilet Tissue Dispenser

Revision 03/11

JOB #:

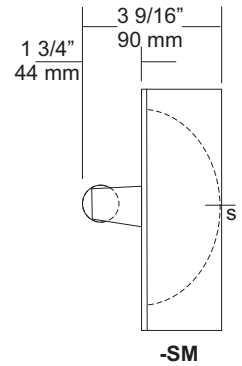
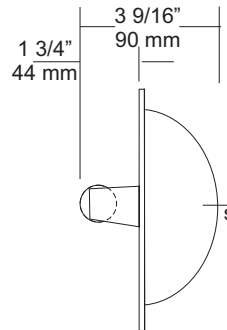
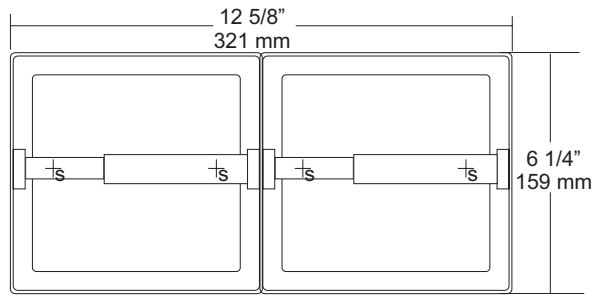
---

ITEM #:

---

QUANTITY:

MOUNTING	HANDING	TYPE	SIZE	OTHER



### SPECIFICATIONS

**Shell and Flange:** Drawn one piece construction fabricated of #22 ga stainless steel with a bright finish. Two mounting points allow unit to be secured to mounting clamps or framing in wall opening.

**Support Posts:** Heavy duty cast Zamac with bright chrome finish to match shell.

**Spindle:** Spring loaded, chrome plated plastic roller.

**Collars:** #22 ga stainless steel finished to match unit.

**Overall Size:** 12 5/8"W x 6 1/4"H x 3 9/16"D  
**321mm x 159mm x 92mm**

**Wall Opening:** 11 3/4"W x 5 1/4"H x 2"D  
**298mm x 133mm x 51mm**

**UX75-SM-BF:** Surface Mounted Dual Roll Dispenser

**UX75-SF:** Same as UX75-BF with satin finish.

**UX75-SF-SM:** Same as UX75-SF-SM with satin finish.

**Optional U007 Theft Resistant Adapter:** Prevents spindle from being removed until roll has been depleted.

### INSTALLATION

Provide a wall opening at desired or specified area and coordinate with architect or contractor to avoid interference with pipes, vents etc. In wall. See specification for proper wall openings. Secure unit in wall opening with proper fasteners and clamps per application. Insert roller into roll core depress one side and install on posts.

**Toilet Paper Dispensers:** All dispensers that are to meet ADA code cannot have any type of controlled delivery. (4.16)

**Mounting Clamps:**  
 B-1 Clamp: Same as B-Clamp for UX75.  
 C Clamp: For cement, mortar or mud-in installations.(Tile)

### NOTES