



U474

Waste Receptacle Swing Top

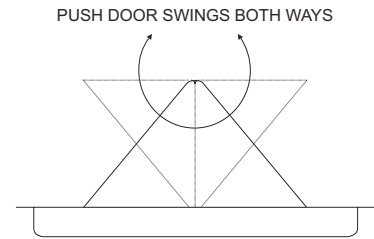
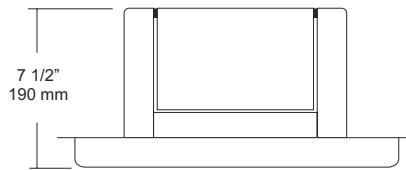
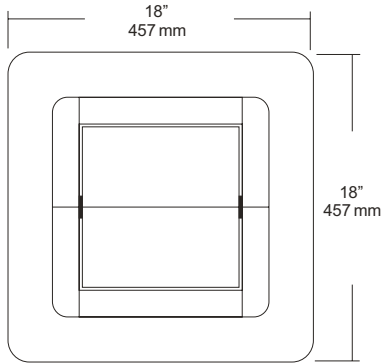
Revision 03/11

JOB #:

ITEM #:

QUANTITY:

MOUNTING	HANDING	TYPE	SIZE	OTHER



SPECIFICATIONS

Swing Top: Fabricated of #20 gauge stainless steel with a #4 satin finish fully welded construction. Door swings freely in both directions. All edges are hemmed to prevent injury. Unit will fit U470-36 free standing waste.

Overall Size: 18"W x 7 1/2"H x 18"D

457mm x 191mm x 457mm

INSTALLATION

Swing top will rest on top of the rubber wall bumpers on the U470-36 free standing waste receptacles.

NOTES