



**U466**  
Corner Waste Receptacle

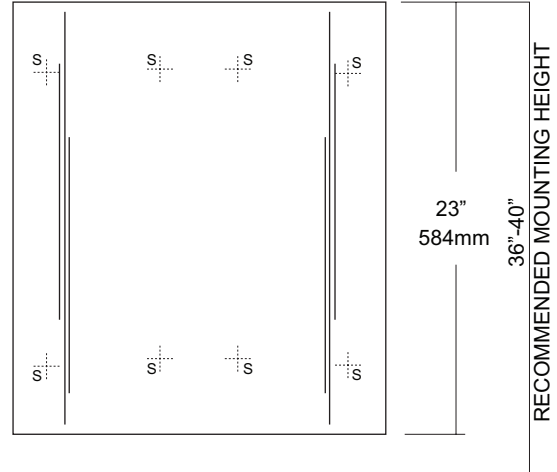
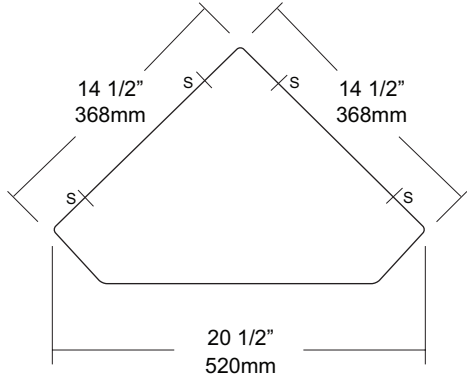
Revision 03/11

JOB #:

ITEM #:

QUANTITY:

MOUNTING	HANDING	TYPE	SIZE	OTHER



**SPECIFICATIONS**

**Waste:** Fabricated of #22 ga stainless steel with a #4 satin finish on all exposed surfaces. All leading edges are hemmed and have a radius to prevent injury.  
**Back:** Fabricated of stainless steel formed for rigidity with multiple welds to cabinet body.  
**Overall Size:** 20 1/2" W x 23"H x 14 1/2"  
**520mm x 584mm x 368mm**  
**Waste Capacity:** 13.5 gallons (1.8 cu ft)

**INSTALLATION**

Provide an area on wall surface at desired or specified location. Hold unit to wall surface, making sure unit is level and transfer mounting points. Drill pilot holes. Using proper fasteners per application, secure unit to wall surface.

**NOTES**