



Date

Project Name

Attn

From

Phone

Fax

Email

WASHROOM PARTITIONS | WASHROOM ACCESSORIES | STORAGE SYSTEMS | VISUAL DISPLAY PRODUCTS

---

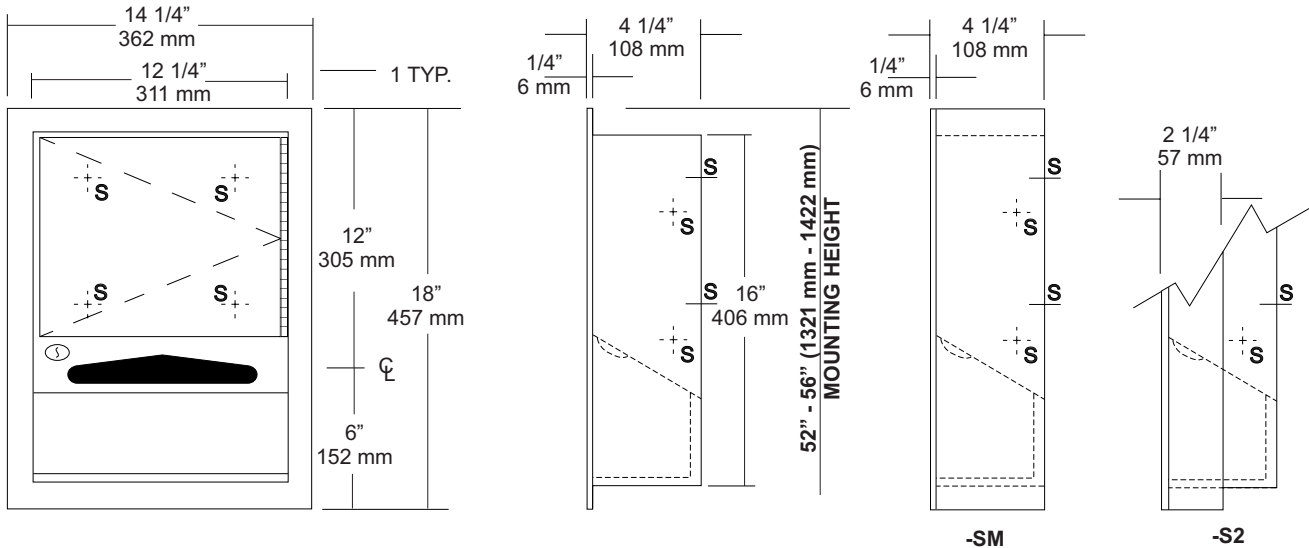
509 TEMPLE HILL RD. NEW WINDSOR NY 12553 P. 845.562.3332 F. 845.562.3391 AJW.COM

JOB #:

ITEM #:

QUANTITY:

MOUNTING	HANDING	TYPE	SIZE	OTHER
----------	---------	------	------	-------



### SPECIFICATIONS

**Cabinet Body:** Fabricated of #22 ga stainless steel. Face trim is an integral part of body with a #4 satin finish and 1/4" returns to wall surface for rigidity. One piece construction without miters or welds.

**Cabinet Door:** Fabricated of #22 ga stainless steel with a #4 satin finish. Full length door stops protect door from vandalism.

**Cabinet Back:** Fabricated of #22 ga stainless steel with multiple welds to cabinet body:

**Towel Dispensing:** Hemmed edges that prevent injury and towel tearing.

**Hinges:** Heavy duty, full length, stainless steel piano type hinge secured door to cabinet.

**Lock:** Commercial quality, pin tumbler type lock keyed like all other AJW accessories.

**Collars:** Fabricated of #22 ga stainless steel finished to match cabinet for surface or recess mounting.

**Overall Size:** 14 1/4"W x 18"W x 4 1/4"D  
**362mm x 457mm x 108mm**

**Wall Opening:** 12 3/4"W x 16 1/2"H x 4"D  
**324mm x 419mm x 102mm**

**U232-S2:** 2" semi-recessed collar, 2" wall opening 51mm.

**U232-SM:** Full surface mounted collar.

**Capacity:** 350 c-fold or 475 multifold

### INSTALLATION

Coordinate installation with architect and contractor to avoid interference with pipes vents etc. in wall. Provide a rough wall opening 12 3/4"W x 16 1/2"H. See specification for proper wall depth opening. Slip on collars now if collars are required. Open cabinet and insert into wall opening. Secure with proper fasteners per each application. Fill unit with recommended towels, without overfilling. Make sure towels overlap each other so they will be available each time a towel is removed from dispensing area.

Do not use abrasive cleaners or chloric solutions to clean cabinets.

### NOTES