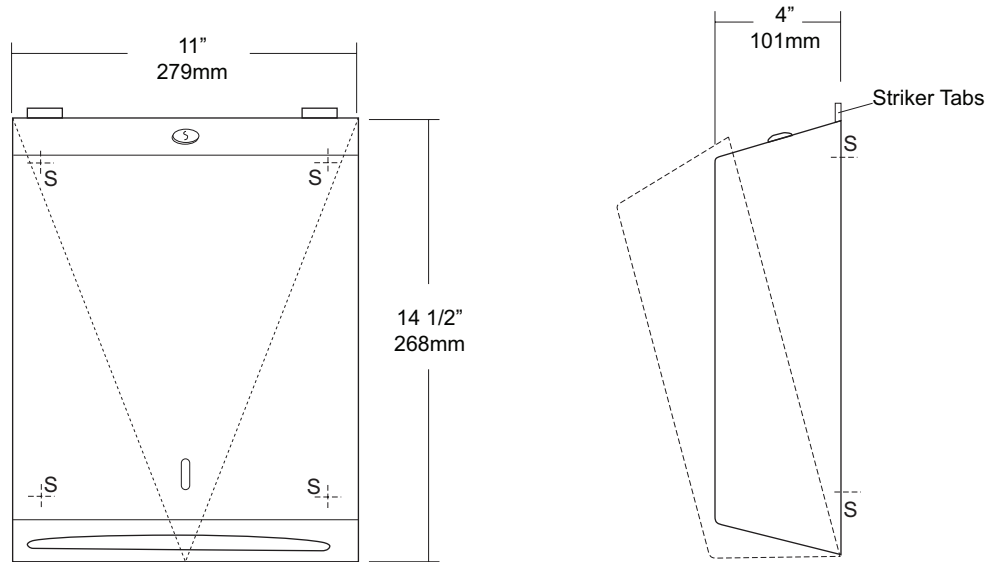


JOB #:

ITEM #:

QUANTITY:

MOUNTING	HANDING	TYPE	SIZE	OTHER



SPECIFICATIONS

- Cabinet:** #22 ga. stainless steel with #4 satin finish. Striker tabs prevents damage to mounting surface when cover is closed. (Unibody design)
- Cabinet Back:** #22 ga stainless steel with embossed towel guides.
- Hinges:** Full length, heavy duty, stainless steel , piano type hinge. (Welded, no rivets)
- Locks:** Pin tumbler, commercial quality, keyed like all other AJW cabinets.
- Towel Dispenser:** Area is hemmed to prevent towel tearing and injury.
- Overall Size:** 11"W x 14 1/2"H x 4"D (stainless steel)
279mm x 368mm x 102mm
- Capacity:** 400 c-fold or 525 multifold
- Options:**
-TK: Twist lock in lieu of keyed lock.

INSTALLATION

- Provide an area on mounting surface at desired or specified location. Open cover and place unit against wall and transfer mounting points after checks out to be level and is at the proper mounting height. Secure unit to surface with proper fasteners, fill cabinet with towels, close cover and remove key.
- Recommend towel dispensing area at a height of 40" above finished floor to meet ADA Code.

NOTES