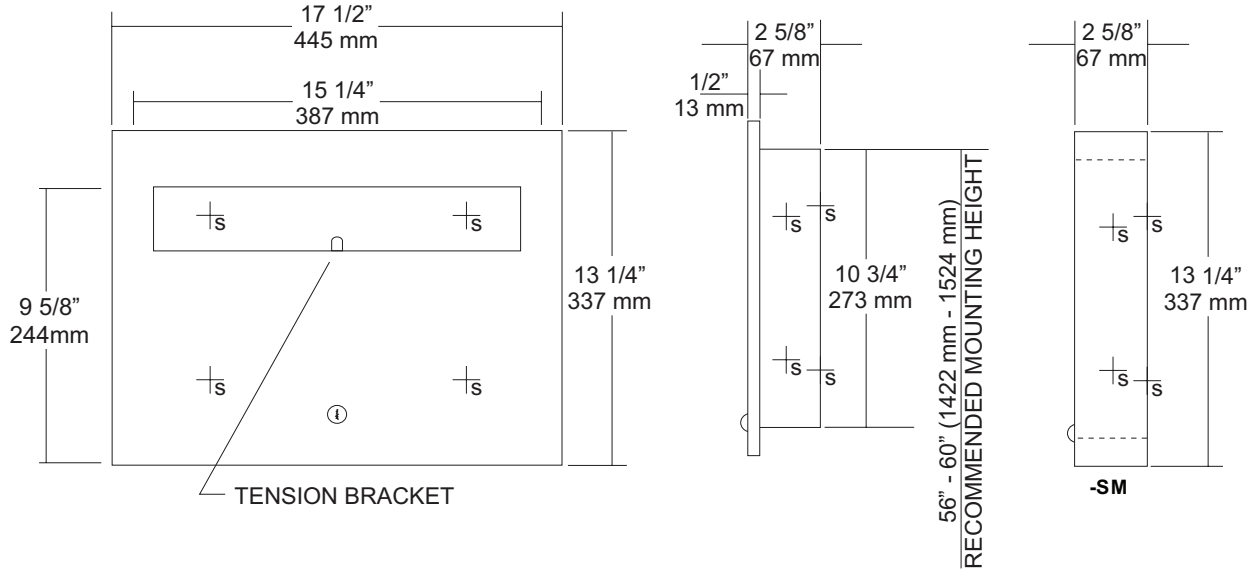


JOB #:

ITEM #:

QUANTITY:

MOUNTING	HANDING	TYPE	SIZE	OTHER



### SPECIFICATIONS

**Body:** Fabricated of #22 gauge stainless steel with a #4 satin finish on all exposed surfaces.

**Flange:** #22 gauge stainless steel with 1/4" returns to wall without any miters.

**Uni-Door:** #18 ga stainless steel door. Seat cover dispensing area (on both units) are deburred and polished smooth to avoid paper tearing and injury.

**Hinge:** Full length, stainless steel piano type hinge.

**Lock:** Pin tumbler commercial quality, keyed like all other AJW cabinets.

**Overall Size:** 17 1/2"W x 13 1/4"H x 2 5/8"D  
445mm x 337mm x 68mm

**Wall Opening:** 15 3/4"W x 11 1/4"H x 2 5/8"D  
400mm x 286mm x 60mm

**U8504-SM:** Surface mounted unit

**Capacity:** 500 seat covers

### INSTALLATION

Provide required wall opening at desired or specified location with coordination with architect or contractor to avoid interference with pipes, vents, etc. Unlock cabinet and place unit in opening. Secure to rough framing with proper fasteners per each application. Fill dispenser with product and secure cabinet door.

### NOTES