



Date

Project Name

Attn

From

Phone

Fax

Email

WASHROOM PARTITIONS | WASHROOM ACCESSORIES | STORAGE SYSTEMS | VISUAL DISPLAY PRODUCTS

509 TEMPLE HILL RD. NEW WINDSOR NY 12553 P. 845.562.3332 F. 845.562.3391 AJW.COM



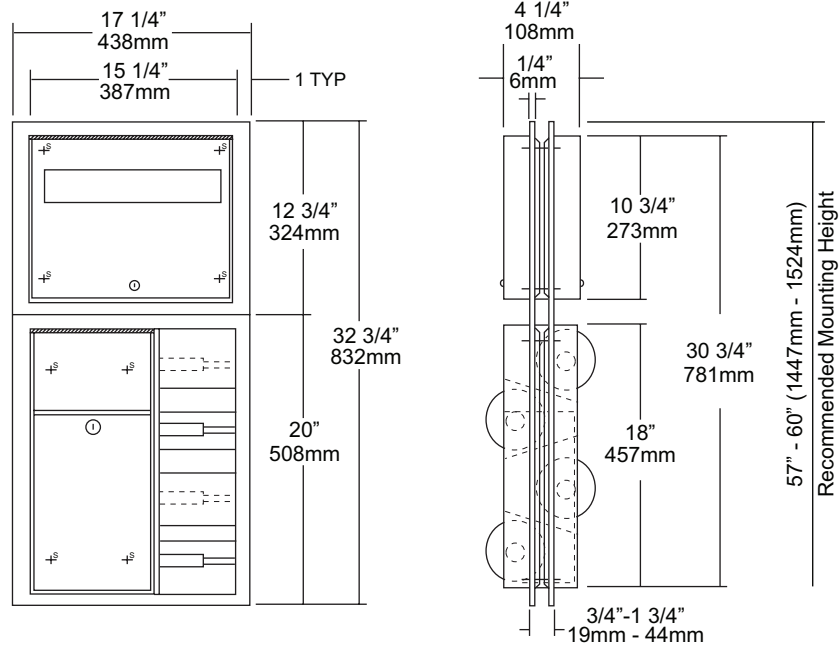
U861

Seat Cover, Sanitary Napkin Disposal & Toilet Tissue Dispenser Combination Unit

Revision 03/11

JOB #:
ITEM #:
QUANTITY:

MOUNTING	HANDING	TYPE	SIZE	OTHER



SPECIFICATIONS

- Cabinet:** Fabricated of #22 gauge stainless steel. All exposed surfaces have a #4 satin finish.
- Flanges:** Fabricated of #22 gauge stainless steel one-piece drawn seamless construction. No seams or exposed miters with 1/4" returns to wall surface. (Exposed mounting points)
- Napkin Disposal:** Self closing push panel door is fabricated of #22 gauge stainless steel. Removable Waste is fabricated of same material with pin tumbler lock. Waste is identified with International Graphic symbol.
- Toilet Tissue Dispenser:** #22 gauge stainless steel hat adapters secure chrome plated, spring loaded rollers in place.
- U007 Theft Resistant Adapter:** Prevents spindle from being removed until roll has been depleted.
- Seat Cover Dispenser:** #22 gauge stainless steel secured by pin tumbler lock.
- Hinges:** All hinges are full length, heavy duty, stainless steel piano type hinges.
- Overall Size:** 17 1/4"W x 32 3/4"H x 4 1/4"D
438mm x 832mm x 108mm
- Adjustable to fit partitions** 1/2" - 1 1/4" thick.
- Wall Opening:** 15 3/4"W x 31 1/4"H
400mm x 768mm
- Waste Capacity:** 2 Gallons (.26 cu ft)
- Toilet Tissue:** Four standard rolls with a 5 1/4" (133mm) OD.
- Seat Cover Capacity:** 1000

INSTALLATION

Provide rough wall opening at desired or specified location of 15 3/4"W x 31 1/4"H. Place lower unit in opening. Before securing place seat cover dispenser in opening to ensure proper fit. If both units fit properly in opening, secure bottom unit than the top by the side with the fixed flange and exposed mounting points. Secure adjustable flange last in the same manor. Secure with proper fasteners per each application. Fill seat cover dispenser and toilet tissue rolls.

Toilet Paper Dispensers: All dispensers that are to meet ADA code cannot have any type of controlled delivery. (4.16)

NOTES