



Date

Project Name

Attn

From

Phone

Fax

Email

WASHROOM PARTITIONS | WASHROOM ACCESSORIES | STORAGE SYSTEMS | VISUAL DISPLAY PRODUCTS

---

509 TEMPLE HILL RD. NEW WINDSOR NY 12553 P. 845.562.3332 F. 845.562.3391 AJW.COM



# UB14

Chrome Coat Hook & Bumper

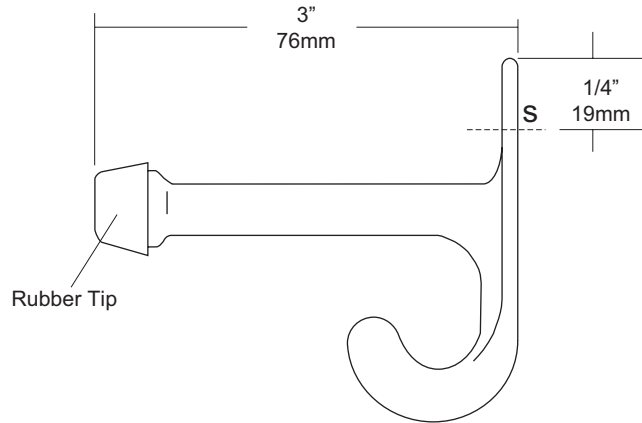
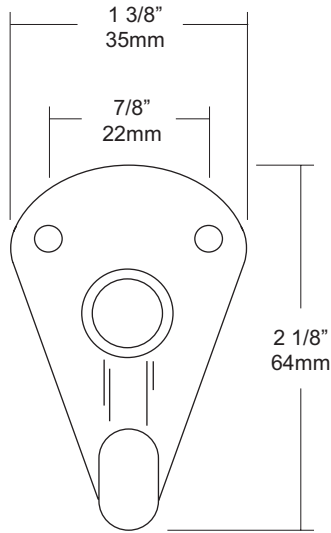
Revision 09/13

JOB #:

ITEM #:

QUANTITY:

MOUNTING	HANDING	TYPE	SIZE	OTHER



### SPECIFICATIONS

**UB Accessories:** Fabricated of chrome plated, solid forged brass with a nickel and copper plating. In compliance with all standard commercial and government standards. Hard rubber bumper prevents damage to interior walls as well as door ways.

**Overall Size:** 1 3/8"W x 2 1/2"H x 3"D

**35mm x 64mm x 76mm**

### INSTALLATION

Place hook on mounting surface and transfer mounting point locations. Drill pilot holes and secure with proper fasteners per application.

### NOTES