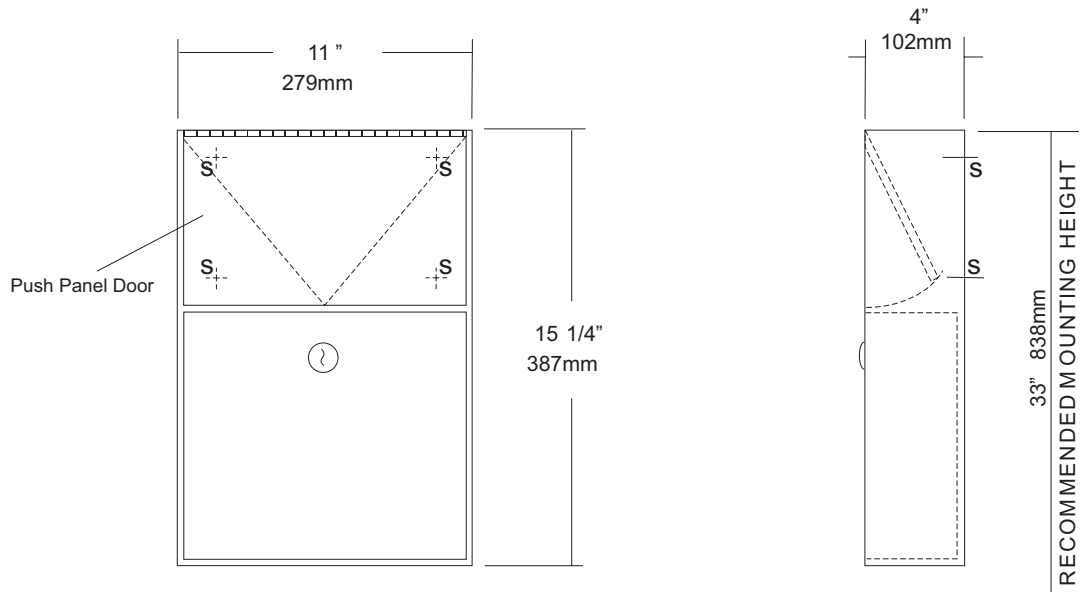


JOB #:

ITEM #:

QUANTITY:

MOUNTING	HANDING	TYPE	SIZE	OTHER



SPECIFICATIONS	INSTALLATION
----------------	--------------

Cabinet Body: Fabricated of #22 ga stainless steel #4 satin finish,

Push Panel: Fabricated of #22 ga stainless steel self closing push panel. International graphic symbols are optional.

Waste: #22 ga stainless steel removable type waste secured by a pin tumbler lock. Optional finger grip in lieu of lock is available.

Locks: Pin tumbler commercial quality locks keyed like all other AJW cabinets,

Hinge: Full length, heavy duty, stainless steel piano type hinge,

Overall Size: 11"W x 15 1/4"H x 4"D
279mm x 387mm x 102mm

Capacity: 1.5 gallons (.2 cu ft.)

NDL-13-50: Waxed disposable liners. (50 per Case)

OPTIONS:

- PW: Rigid plastic waste insert
- IGS: International Graphic Symbol

Provide an area on wall surface at desired or specified location. Place unit on wall and verify unit is level. Transfer mounting point locations and drill pilot holes. Remove waste can and secure to wall surface with proper fasteners for each application.

NOTES
