



**UX143-BF**  
Door Bumper

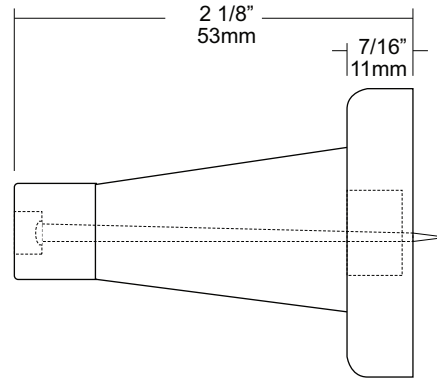
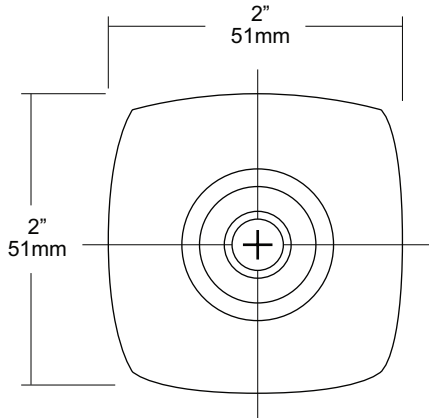
Revision 03/11

JOB #:

ITEM #:

QUANTITY:

MOUNTING	HANDING	TYPE	SIZE	OTHER



SPECIFICATIONS	INSTALLATION
----------------	--------------

**Post / Bumper:** Black nylon post with a neoprene tip with Phillips head fastener to secure to wall surface.

**Flange:** 2" x 2" flange #22 ga bright stainless steel.

**Overall Size:** 2"W x 2"H x 2 1/8"D

**51mm x 51mm x 54mm**

**UX143-SF:** Same as UX143 with satin finish flange.

Provide an area on wall surface at desired or specified location. Assemble post into mounting plate and transfer mounting points. Drill pilot hole and secure with proper fastener. Secure provided fastener into wall surface into in wall backing. (Ex: stud or other proper anchoring devices)

**NOTES**

Formerly Model #: UX143