

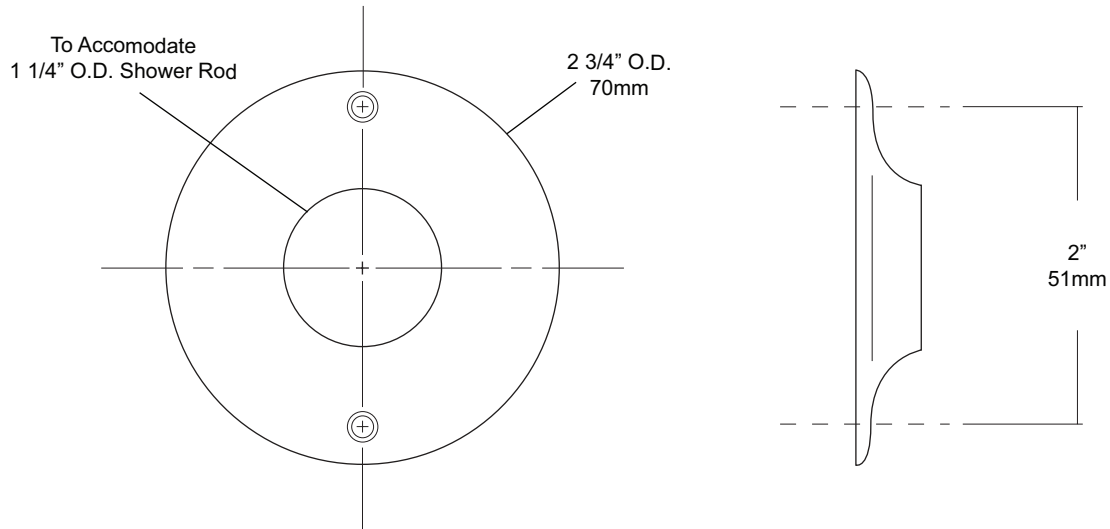
UX2B
 FLANGE & SHOWER ROD

Job #:

Item #:

Quantity:

MOUNTING	HANDING	TYPE	SIZE	OTHER



SPECIFICATIONS

Exposed Cover: Fabricated of type 304 #22 gauge stainless steel with a #4 satin finish. Cover has 2 (2) exposed mounting points.
Shower Rod: Fabricated of type 304 stainless steel with a #4 satin finish.
UX2: 1 1/4" outside diameter

INSTALLATION

Provide an area on wall surface at desired or specified location. Hold flange to wall surface and transfer mounting points. Drill pilot holes. Place flanges on the ends of the rods. Secure flanges to wall surface with proper fasteners per application.

NOTES