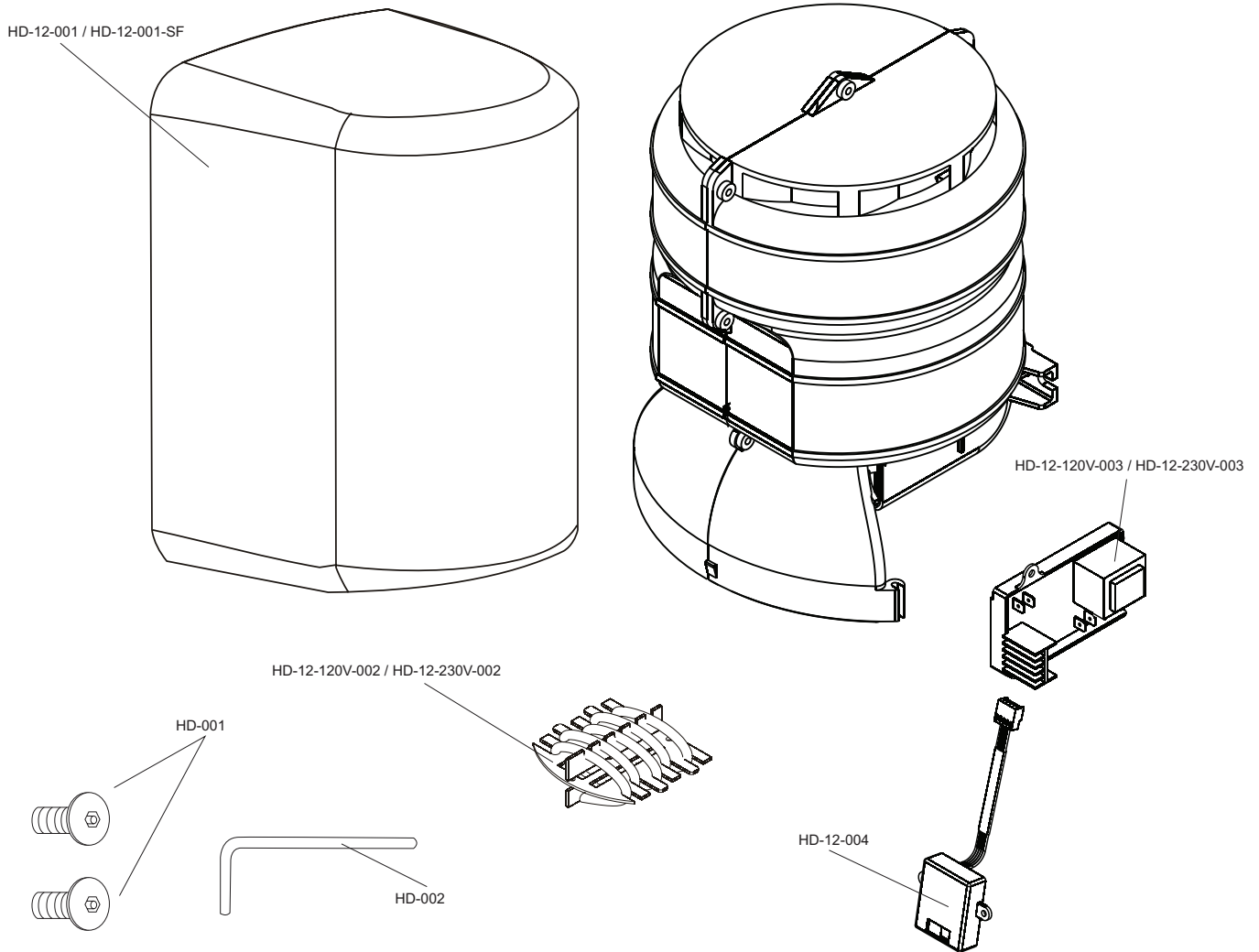


# U1512EA Hand Dryer

## Part Diagram



Part Number	Part Description
HD-12-001 / HD-12-001-SF	White powder coated cover for U1512EA (Satin finish: HD-11-001-SF)
HD-12-002-120V / HD-12-002-230V	Heating Element for U1512EA.
HD-12-003-120V / HD-12-003-230V	Timer for U1512EA
HD-12-004	Automatic sensor for U1512EA
HD-001	Theft resistant fasteners
HD-002	Key for theft resistant fasteners