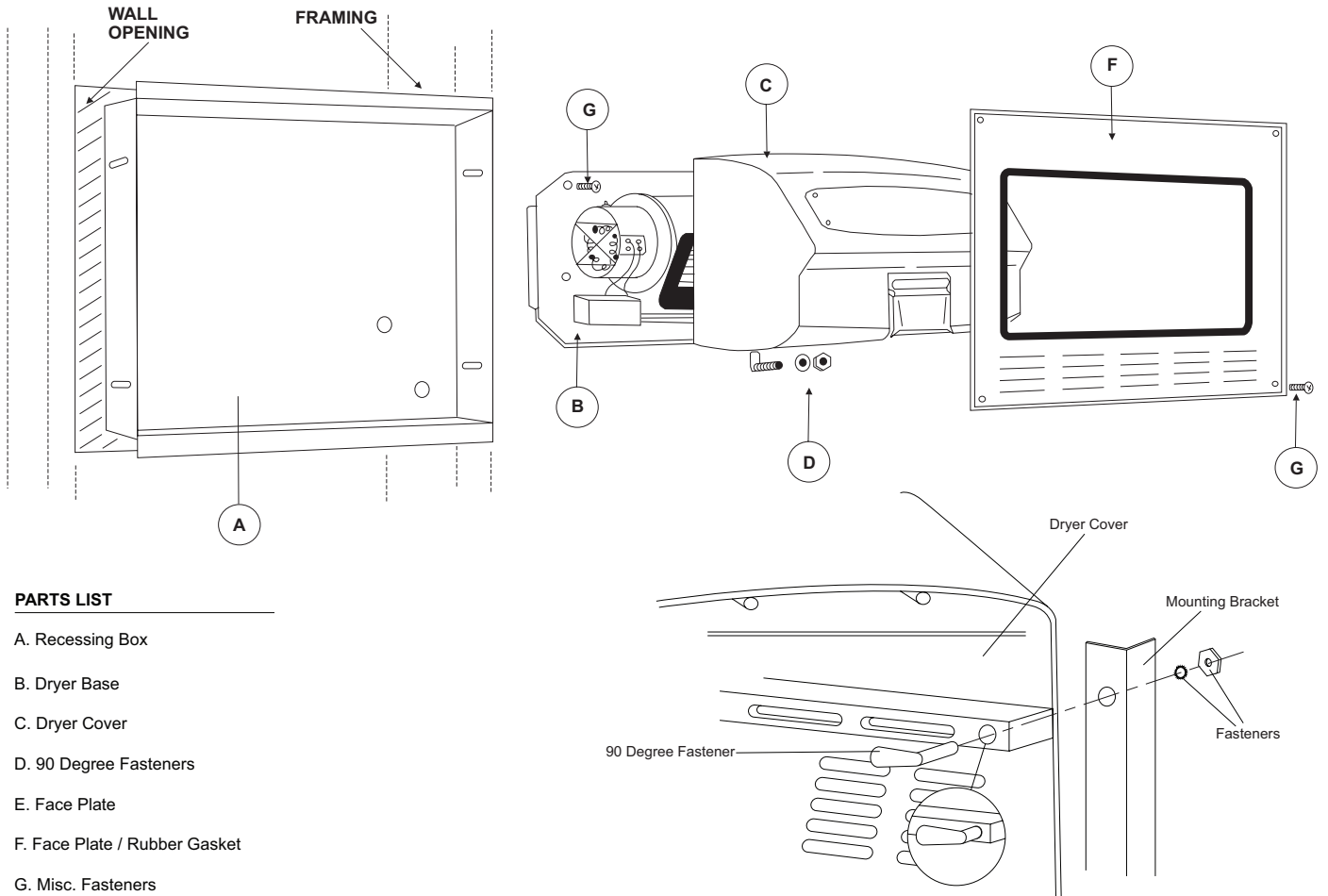


U025 Mounting Instructions



PARTS LIST

- A. Recessing Box
- B. Dryer Base
- C. Dryer Cover
- D. 90 Degree Fasteners
- E. Face Plate
- F. Face Plate / Rubber Gasket
- G. Misc. Fasteners
- H. 90 Degree Mounting Bracket

INSTRUCTIONS

1. Provide a rough wall opening 14 5/8"W x 12 1/8"H. Max wall depth is 3 3/4" for ADA code compliance.
2. Select the proper knockout location for each installation on recessing box.
3. Secure kit box in wall opening.
4. Have qualified, licensed electrician run electrical connection through knockout and secure dryer base to box. Connect power to base and test dryer for operation.
5. Secure mounting bracket H with two (2) 90° supplied fasteners to cover. Secure dryer cover to recessing box with 90° degree fasteners and mounting bracket. Test dryer again for proper operation.
6. Slide face frame over cover of dryer making sure rubber gasket fits snugly and evenly around cover. In order to comply with ADA guidelines, the dryer must not extend more than 4" from face of finished wall. Secure faceplate with 4 supplied fasteners.
7. Test dryer for proper operation after faceplate is secured.