



UX2
Shower Curtain Rod

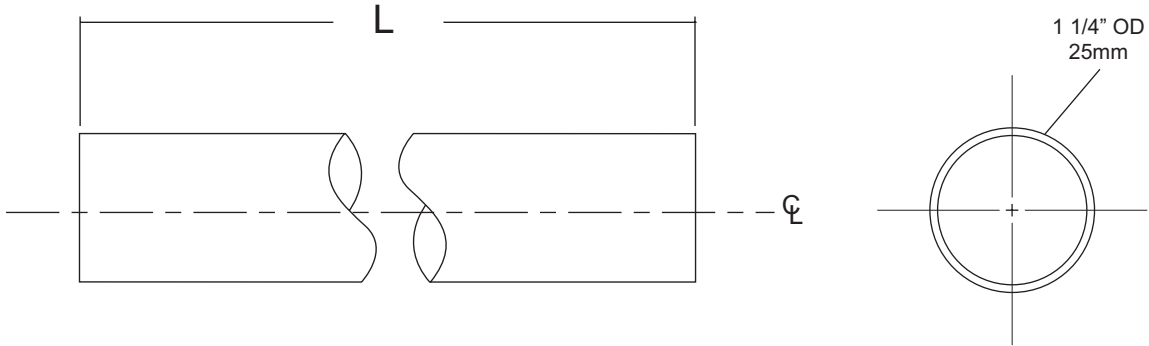
Revision 03/11

JOB #:

ITEM #:

QUANTITY:

MOUNTING	HANDING	TYPE	SIZE	OTHER



SPECIFICATIONS

Shower Rod: #18 ga stainless steel with a #4 satin finish.
Standard Lengths: 36", 42", 48", 60", 72"
Overall Size: 1 1/4" OD
Flanges Available: A, B, C, E, J & K flanges. (See technical data for specific flange information)
Recommended: Bars over 72"L should be installed with an overhead support (UX2-V)
***Custom lengths available upon request.**

INSTALLATION

Verify the length of the shower curtain required per application and the height each rod is to be mounted at. Place shower rod flanges against mounting surface and transfer mounting points to wall surface. Drill pilot holes and secure one flange with proper fasteners. Insert shower rod into mounted flange, slide other flange on rod and secure to opposite wall. Snap the shower curtain hooks over the rod (Recommend UX169 hooks) and secure curtain to hooks.

NOTES