



UX119-BF

Soap Basket

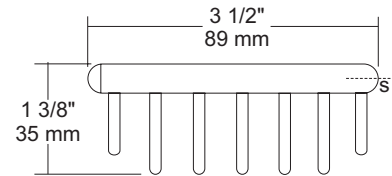
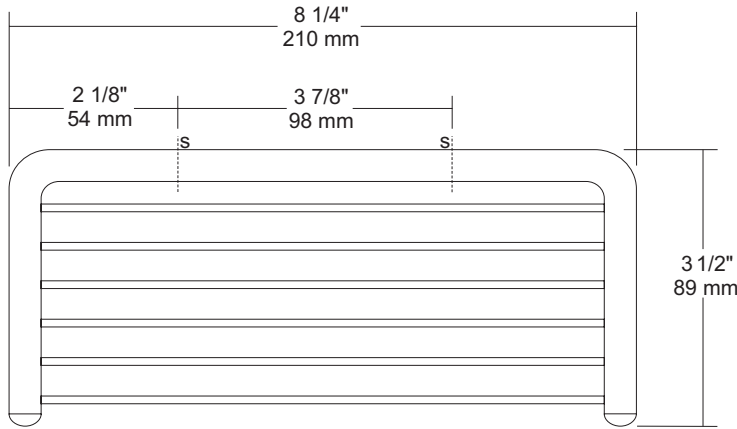
Revision 03/11

JOB #:

ITEM #:

QUANTITY:

MOUNTING	HANDING	TYPE	SIZE	OTHER



SPECIFICATIONS

Basket: Fabricated of bright polished stainless steel. Main support brace and mounting bracket has a O.D. of 3/8" thick material with two exposed mounting points. Lower supports that support soap and allows water to drain has an O.D. of 1/8".

Overall Size: 8 1/4"W x 1 3/8"H x 3 1/2D

209mm x 35mm x 88mm

INSTALLATION

Provide an area on wall surface at desired or specified location. Place concealed mounting plate on wall surface and transfer mounting points. Drill pilot holes and secure with proper fasteners. Place snap on flange over plate and secure with set screw.

NOTES

Formerly Model #: UB19