



# US52

Surface Mounted Hook Strip & Shelf

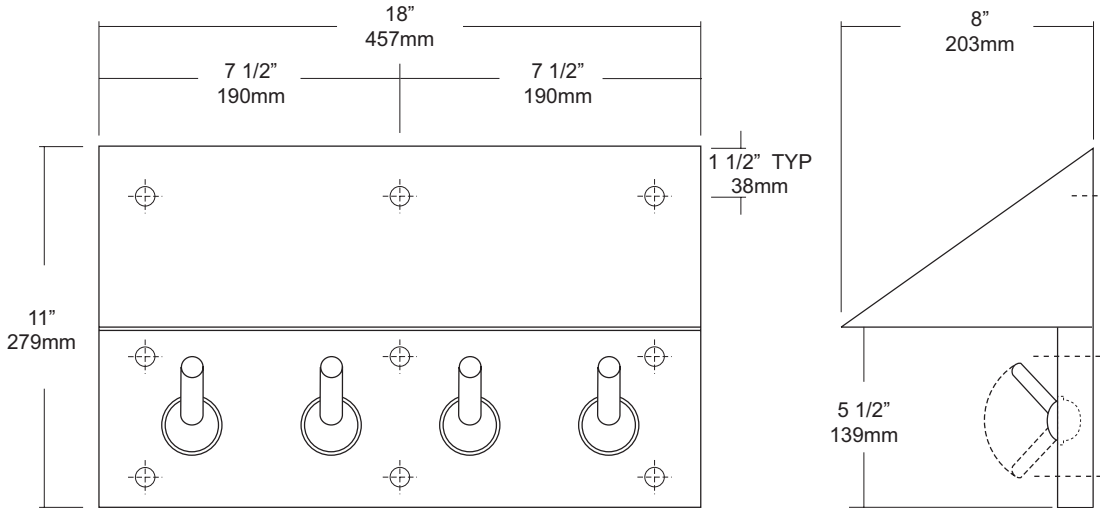
Revision 03/11

JOB #:

ITEM #:

QUANTITY:

MOUNTING	HANDING	TYPE	SIZE	OTHER



### SPECIFICATIONS

**Mounting Strip:** Fabricated of #14 gauge stainless steel with a #4 satin finish. Six (6) exposed mounting points secure unit to wall surface.

**Hooks:** Concealed mounted hook is fabricated of #14 gauge stainless steel with a #4 satin finish. Pivoting ball joint releases when excessive force is applied. (Aprx: 35lbs.)

**Shelf / Back Plate:** Fabricated of #14 gauge stainless steel with a #4 satin finish on all exposed surfaces.

**Overall Size:** 18"W x 11"H x 8"D

**457mm x 279mm x 203mm**

### INSTALLATION

Place unit on wall surface making sure unit is level at desired or specified location. Transfer mounting points and drill pilot holes for fasteners. Secure unit with proper fasteners per each application (Fasteners not included).

### NOTES