



# UP845

Toilet Tissue Dispenser

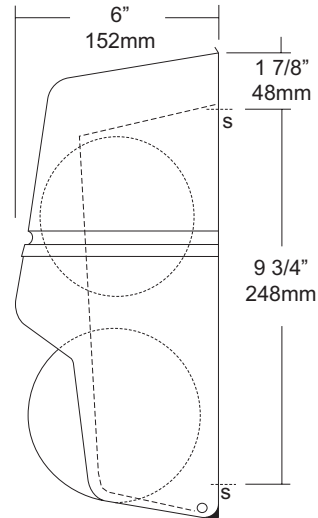
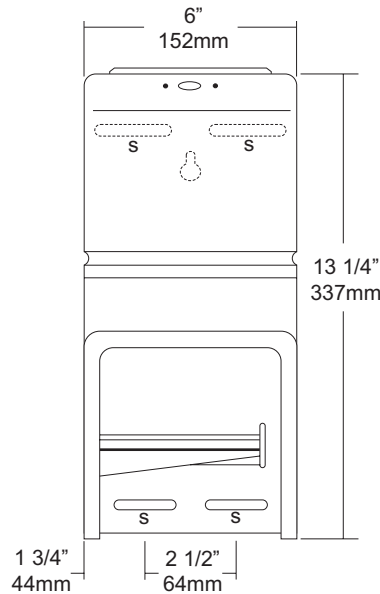
Revision 03/11

JOB #:

ITEM #:

QUANTITY:

MOUNTING	HANDING	TYPE	SIZE	OTHER



## SPECIFICATIONS

**Cover:** Fabricated of high impact translucent ABS material with a sloped top.

**Back:** Heavy ga steel back with full width striker tab, one piece construction formed for rigidity.

**Spindle Track:** Integral part of the body that allows a smooth transfer of the top roll when the bottom roll has been depleted. When the cover is closed, the unit has a theft resistant design without the need for special adapters or rollers.

**Spindle:** Non-control delivery, with molded spindles of ABS material that cannot be removed from cabinet.

**Lock:** Keyed double latch type lock mechanism keeps hood secured to base.

**Overall Size:** 6"W x 13 1/4"H x 6"D

**152mm x 337mm x 152mm**

**Capacity:** Two standard size rolls. \*(Recommend 1500 single ply roll tissue)

**UP845W:** Same as UP845 with white ABS cover in lieu of translucent

## INSTALLATION

Coordinate installation with architect or contractor. Place unit on wall surface making sure unit is level. Transfer mounting points and drill pilot holes. Secure cabinet with proper fasteners per application. Place full roll on top spindle, raise to top position and pull lower roll forward to hold top roll in place. Load full roll on to lower spindle. Secure hood and test roll for dispensing.

All dispensers that are to meet ADA code cannot have any type of controlled delivery. (4.16)

## NOTES

Formerly Model #: U845