



UJ31 Series

Hook Strip with Shelf Combination Unit

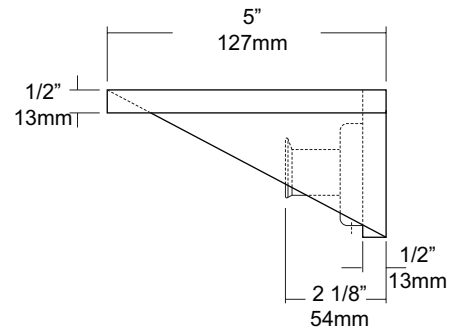
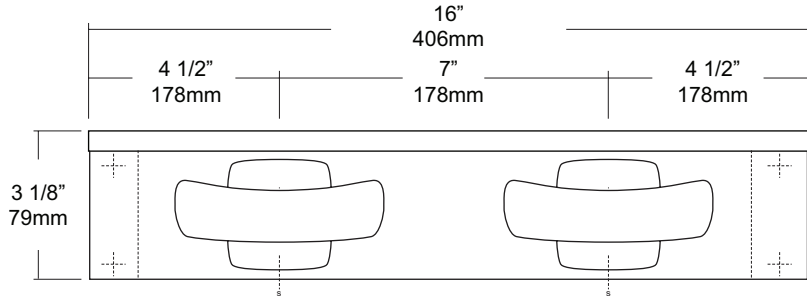
Revision 03/11

JOB #:

ITEM #:

QUANTITY:

MOUNTING	HANDING	TYPE	SIZE	OTHER



SPECIFICATIONS INSTALLATION

Shelf: Fabricated of #18 ga stainless steel with a #4 satin finish, 5" deep (127mm) bent down 1 1/2" with 1/2" returns back for rigidity and safety.

Hook Strip: #18 gauge stainless steel satin finish.

Mounting Brackets: #16 ga stainless steel with exposed mounting points.

Hooks: Satin finish UX112-SF hooks stainless steel dual hooks.

Verify Style:

UJ31A: 16"L (406mm), 2 hooks.

UJ31B: 26"L (660mm), 3 hooks.

UJ31C: 36"L (914mm), 4 hooks.

Place unit to wall surface making sure unit is level and transfer mounting points. Drill pilot holes and secure unit with proper fasteners per application.

NOTES