



# UJ11 Series

Coat Hook Strip

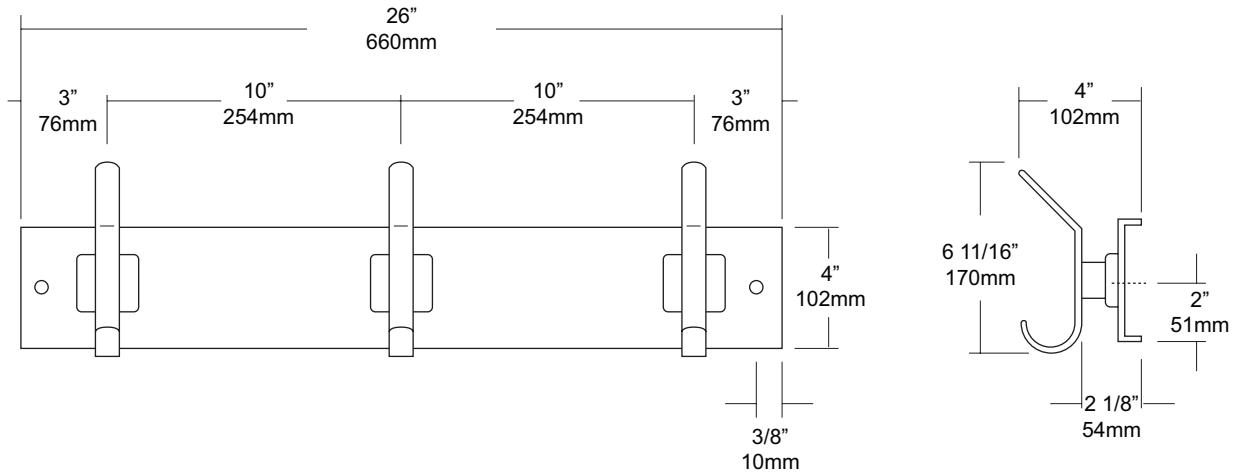
Revision 03/11

JOB #:

ITEM #:

QUANTITY:

MOUNTING	HANDING	TYPE	SIZE	OTHER



### SPECIFICATIONS

**Hook Strip:** Fabricated of #18 ga stainless steel with a #4 satin finish.  
**Hooks:** Fabricated of #14 gauge stainless steel with a #4 satin finish. Hook has two (2) exposed mounting points. Top and bottom leading edges rounded to form a radius for safety.  
**Verify Style:**  
**UJ11A:** 24"L (610mm) with 3 hooks.  
**UJ11B:** 36"L (914mm) with 4 hooks.  
**UJ11C:** 46"L (1168mm) with 5 hooks.

### INSTALLATION

Place unit to wall surface making sure unit is level and transfer mounting points. Drill pilot holes and secure unit with proper fasteners per application.

### NOTES