



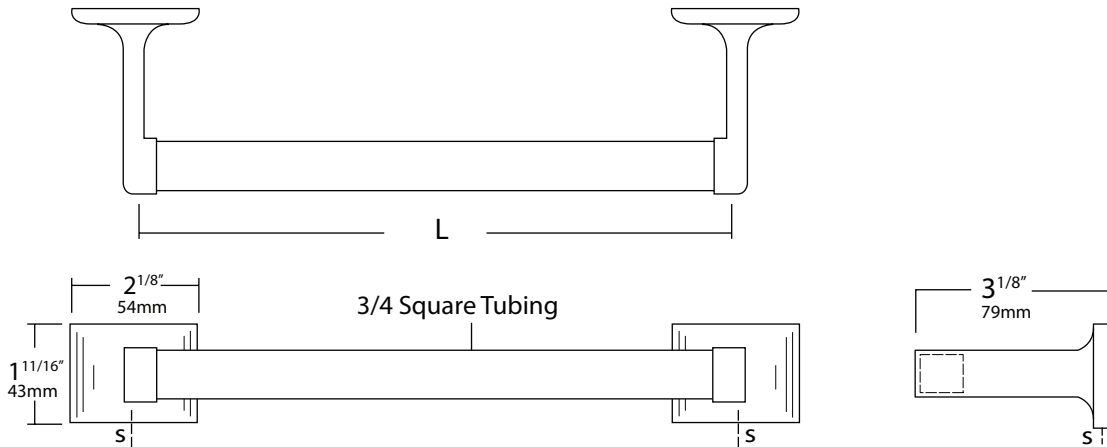
UC31/UC32
TOWEL BARS SQUARE OR ROUND

Job #:

Item #:

Quantity:

MOUNTING	HANDING	TYPE	SIZE	OTHER



SPECIFICATIONS

UC Accessories: All accessories are fabricated of high polished chrome plating over virgin zinc cast accessories. All UC items comply with standard federal specifications.

UC31: Square Towel Bar

Overall Size: 3 1/8" deep off wall 79mm

Bar: 3/4"OD In lengths of 18", 24", 30"

19mm, 457mm, 610mm, 762mm

UC32: Round Towel Bar

Same as UC31 with a round 3/4" OD bar in lieu of square.

Item Length Qty

INSTALLATION

Place posts on flat surface and connect each towel bar. Measure the center line distance from post to post. Transfer this dimension to desired location marked. Transfer mounting points and drill pilot holes. Secure plate with proper fasteners per application. Place post over plate making sure it fits snugly and secure on the underside with supplied set screw. Insert bar into post not mounted and place over plate making sure to insert bar into mounted post. Secure with set screw.

NOTES