



**UB13**  
Chrome Hat & Coat Hook

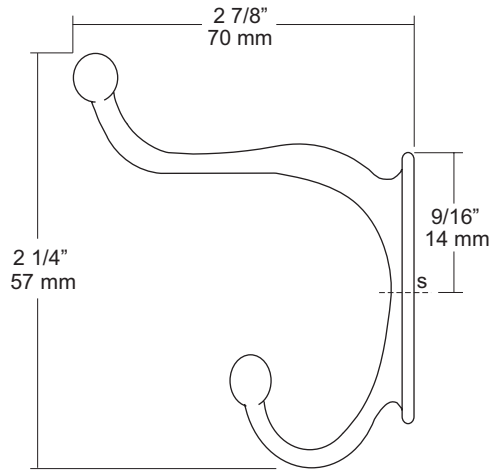
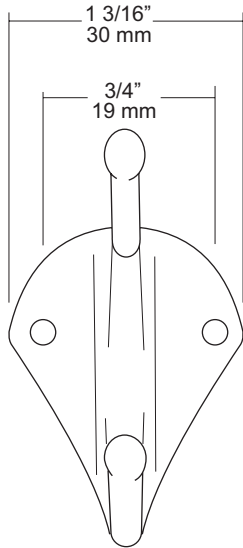
Revision 08/13

JOB #:

ITEM #:

QUANTITY:

| MOUNTING | HANDING | TYPE | SIZE | OTHER |
|----------|---------|------|------|-------|
|          |         |      |      |       |



**SPECIFICATIONS**

**UB Accessories:** Fabricated of forged brass with a nickel and copper plating of chrome coating. In compliance with all standard commercial and government standards.

**Overall Size:** 1 3/16"W x 2 1/4"H x 2 7/8"D

**30mm x 57mm x 70mm**

**INSTALLATION**

Place hook on mounting surface and transfer mounting points. Drill pilot holes and secure with proper fasteners per each application.

**NOTES**