



U965
Bed Pan & Urine Bottle Rack

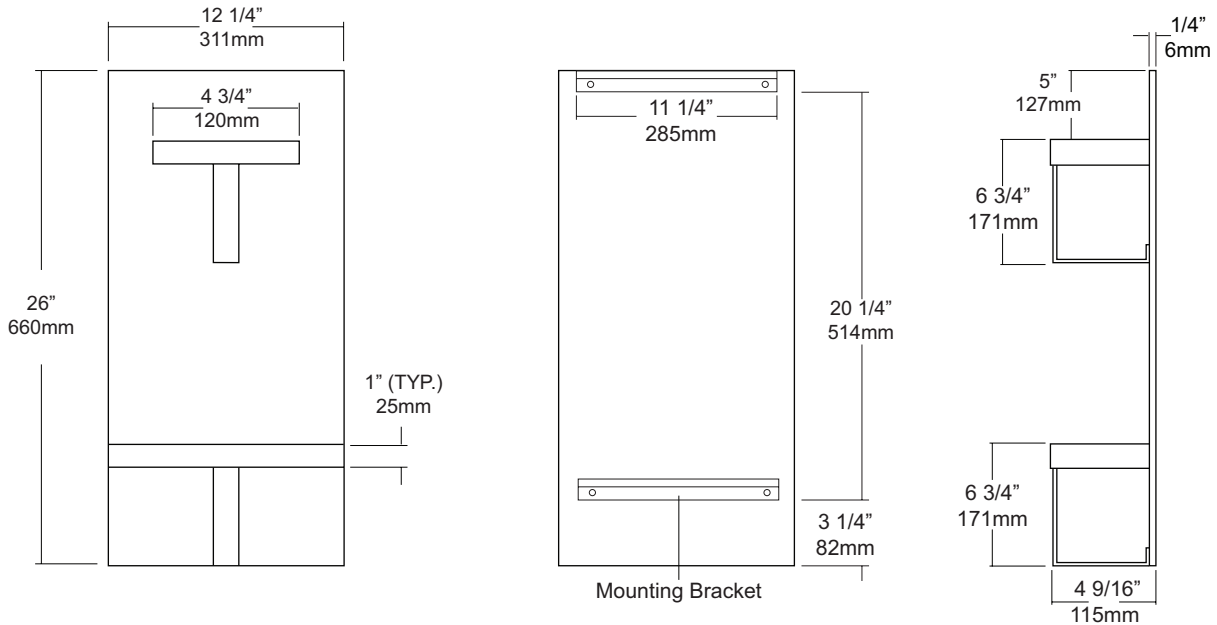
Revision 03/11

JOB #:

ITEM #:

QUANTITY:

MOUNTING	HANDING	TYPE	SIZE	OTHER



SPECIFICATIONS

- Back Plate:** Fabricated of #18 ga. stainless steel with a #4 satin finish.
- Holding Straps:** Fabricated of #16 ga. stainless steel and finished to match rest of unit.
- Hangers:** Fabricated of #22 ga. stainless steel.
- Overall Size:** 12 3/4"W x 26"H x 4 9/16"D
311mm x 660mm x 103mm
- Capacity:** One (1) urine bottle & one (1) standard bedpan

INSTALLATION

Place rack on wall surface making sure unit is level, transfer mounting point locations. Drill pilot holes and secure with proper fasteners per each application. (Fasteners not included)

NOTES