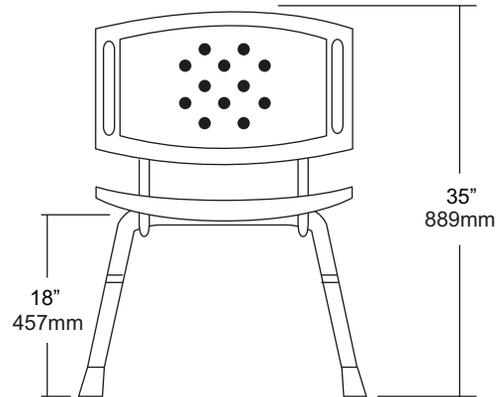
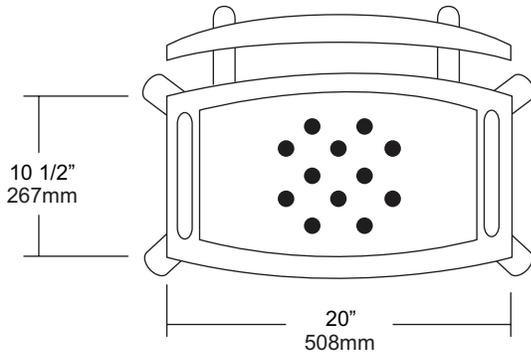


JOB #:

ITEM #:

QUANTITY:

MOUNTING	HANDING	TYPE	SIZE	OTHER



SPECIFICATIONS

Bench / Backrest: Fabricated of polyethylene, blow molded plastic seat with drainage holes and hand grips.

Frame: Constructed of 1"OD anodized aluminum with rubber anti slip feet. Seat is constructed to withstand up to 660 lbs of a static load.

Overall Size: 20"W x 10 1/2"D (seating area)
508mm x 267mm

Seat Height: 18" (457mm) above finished floor

Backrest: 35" above finished floor.

INSTALLATION

Since this is a removable tub seat, no hardware or wall openings are required. Seat should not be used as a stool to stand on.

NOTES