



# U7138B Series

Security Exposed Mount Mirror

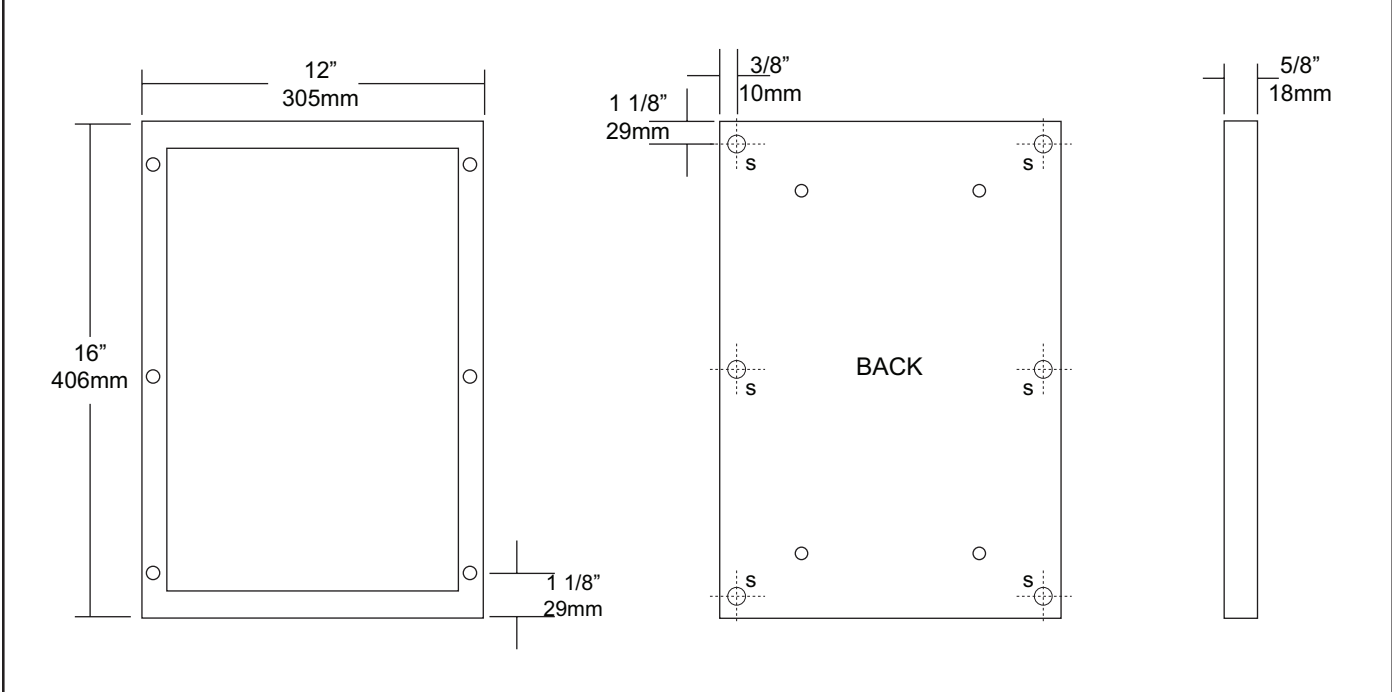
Revision 03/11

JOB #:

ITEM #:

QUANTITY:

MOUNTING	HANDING	TYPE	SIZE	OTHER



SPECIFICATIONS	INSTALLATION
----------------	--------------

**Frame:** Fabricated of #14 gauge stainless steel with a #4 satin finish, (1 1/4" x 5/8") Welded construction with polished edges without miters, Frame is equipped with exposed mounting points.

**Mirror:** Type 430 bright polished stainless steel.

**Back:** One piece stainless steel back,

**Overall Size:** 12"W x 16"H  
305mm x 405mm

**Other sizes are available on request.**

Coordinate mirror installation with architect and contractor to avoid pipes, vents, wires, etc. in wall. Transfer mounting points to wall surface. Transfer mounting point location to wall surface and drill pilot holes. Secure mirror with proper fasteners per application. Fasteners are not supplied by manufacturer.

**NOTES**

Formerly Model #: US7011S Series