



U7128B Series

Security Concealed Mount Mirror

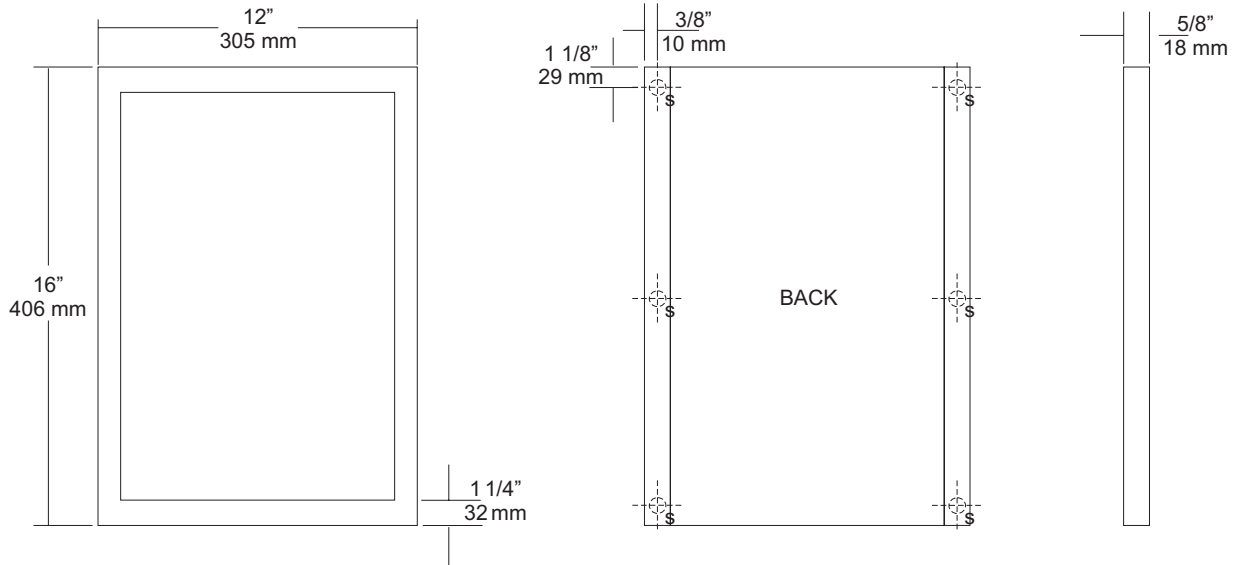
Revision 03/11

JOB #:

ITEM #:

QUANTITY:

MOUNTING	HANDING	TYPE	SIZE	OTHER



SPECIFICATIONS

Frame: Fabricated of #14 gauge stainless steel with a #4 satin finish. (1 1/4" x 5/8") Welded construction with polished edges without miters.
Mirror: Type 430 bright polished stainless steel.
Back: Stainless back pan with weld nuts to receive 1/4-20 threaded studs. (6) (Threaded studs are not provided by manufacturer.)
Overall Size: 16"W x 24"H
406mm x 610mm
Other sizes are available on request.

INSTALLATION

Coordinate mirror installation with architect and contractor to avoid pipes, vents, wires, etc. in wall. Unit is anchored through wall or partition using six (6) on standard sizes. 1/4"-20 threaded rods, washers and nuts (Not supplied) to the threaded weld nuts on frame. Rod length must extend far enough through back of wall to secure nut and washer. Secure mirror with proper fasteners per application. Fasteners are not supplied by manufacturer.
 *Note: The center weld nut on the flange will always be the center dimension of the height, standard or special size mirrors

NOTES

Formerly Model #: US7010S Series