

U649EA

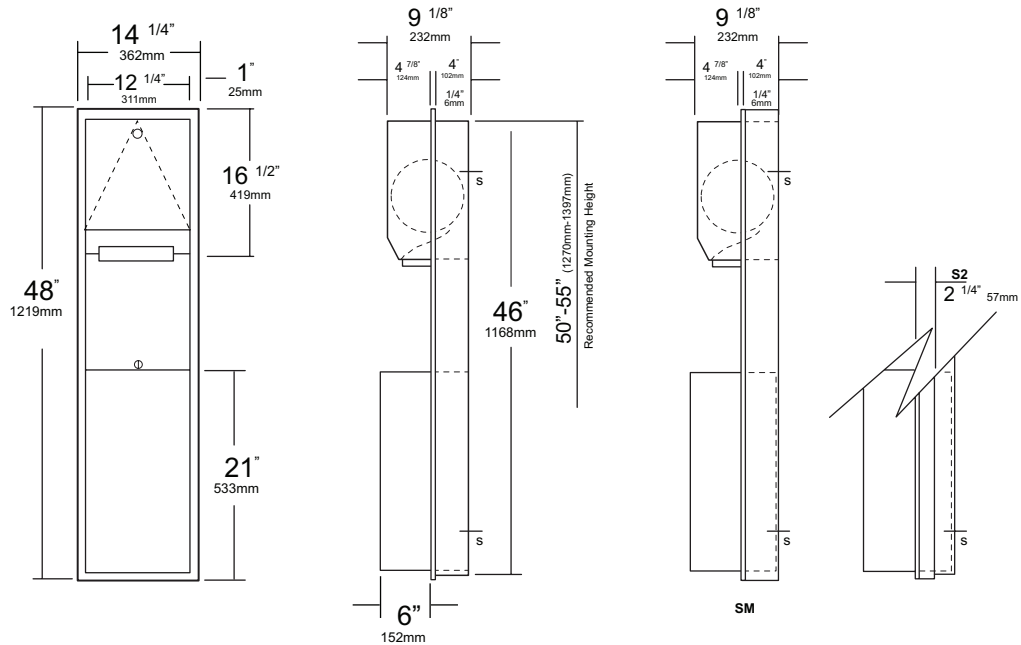
HANDS FREE ROLL TOWEL DISPENSER/
EXTENDED WASTE

Job #:

Item #:

Quantity:

MOUNTING	HANDING	TYPE	SIZE	OTHER



SPECIFICATIONS INSTALLATION

Body: Type 304 #22 ga stainless steel, #4 satin finish.

Flange: Type 304 #22 ga stainless steel finished to match cabinet with 1/4" returns. (No miters or welds)

Cabinet Back: Type 304 stainless steel formed for rigidity.

Cabinet Door: Type 304 #22 ga stainless steel with #4 satin finish, with full length door stop to reduce vandalism

Towel Mechanism: Internal mechanism is fabricated of high impact plastic operated by an automatic sensor.

Automatic Sensor: Operated by 4 "D" cell batteries (not included) Takes aprx. 6 cycles to calibrate after batteries installed. After sensor range has been Interrupted, paper will not dispense until range is cleared to reset.

Removable Ext. Waste: Type 304 #22 ga stainless steel #4 satin finish with all leading edges to have a radius.

Hinge: Full length, heavy duty, stainless steel piano type hinge.

Collars: Type 304 #22 ga stainless steel, #4 satin

U649EA: Recessed w./ 6" extended waste

Overall Size: 14 1/4"W x 48"H x 10 1/4"D

362mm x 1219mm 260mm

Wall Opening: 12 3/4"Wx46 1/2"H x4"D

324mmx 1181mmx 102mm

Capacity: 9.5 gallons

U649EA-S2: 2" Semi-Rec. collar, 2" w/o,51 mm

U649EA-SM: Full surface mounted collar.

Options :

- CV: Covered Waste
- VL 1: Vinyl Liner (12 Gallon)

***Recommended 600ft roll for best results.**

Coordinate installation with architect and contractor to avoid interference with pipes, vents, etc.. Provide a rough wall opening 12 3/4"W x 52 1/2"H. Required wall depth, will depend if full or semi-recessing is required. If collar is required, slide collar over the back before installing into wall. Remove waste from cabinet and mount unit plumb and true in opening with proper fasteners per application. Secure waste in cabinet and load paper towels. Controls and or mechanisms should operate with one hand and force required to activate controls shall be no greater than 5lbs. (4.27.4)

NOTES

