



U5714

Uni-Door Sanitary Napkin Disposal

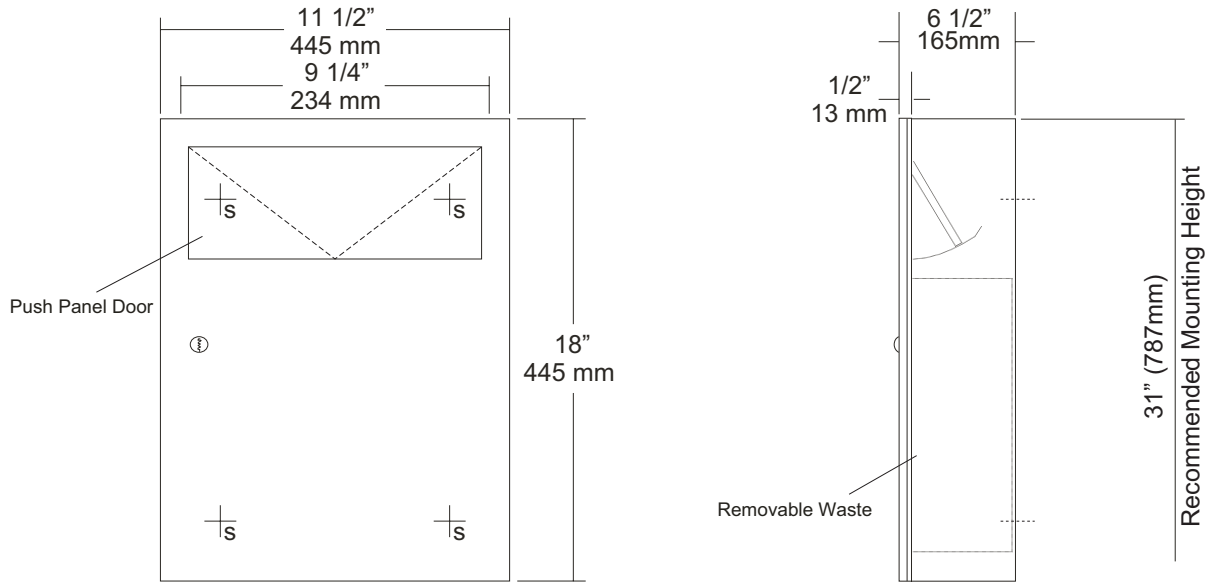
Revision 03/11

JOB #:

ITEM #:

QUANTITY:

MOUNTING	HANDING	TYPE	SIZE	OTHER



SPECIFICATIONS

- Uni-Door:** Fabricated of #18 gauge stainless steel with a #4 satin finish and 1/2" returns to wall surface.
- Body:** Fabricated of #22 gauge stainless steel.
- Push Door:** Self closing door is fabricated of #22 gauge stainless steel with a #4 satin finish.
- Waste:** Fabricated of #22 gauge stainless steel with hemmed edges and wire handle for easy removal.
- Flange:** Fabricated of #22 gauge stainless steel with a #4 satin finish and 1/4" return to wall with no visible seams or miters.
- Hinges:** Full length, stainless steel piano type hinges.
- Locks:** Pin tumbler commercial quality locks keyed like all other AJW accessories.
- Overall Size:** 11 1/2"W x 18"H x 6 1/2"D
297mm x 457mm x 165mm
- Waste:** 3.25 gallons (.44 cu ft)

INSTALLATION

Place unit on wall surface and transfer mounting point location. Drill pilot holes and secure with proper fasteners per application. Coordinate installation with the architect or contractor to avoid interference with pipes, vents, etc.

NOTES