



# U526

Sanitary Napkin & Tampon Dispenser

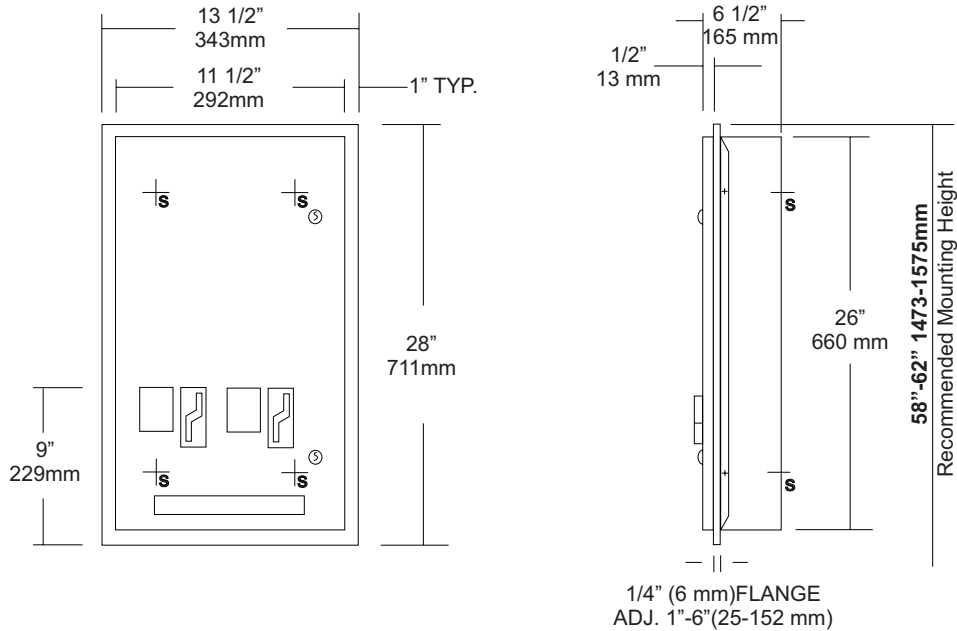
Revision 03/11

JOB #:

ITEM #:

QUANTITY:

MOUNTING	HANDING	TYPE	SIZE	OTHER



## SPECIFICATIONS      INSTALLATION

**Door:** Fabricated of #18 ga stainless steel with #4 satin finish. Door has 1/2" returns for rigidity.

**Body:** Fabricated of #22 ga stainless steel with a #4 satin finish.

**Adjustable Slip Flange:** Fabricated of #22 ga stainless steel, one piece construction with no miters or welds and #4 satin finish. Flange will adjust from a 1" minimum to a 6" maximum wall depth.

**Coin Mechanisms:** Two independent, trouble free turn knob mechanisms, with an "EMPTY" indicator that does not allow coins to be inserted into mechanism when product has been depleted. Operational with one hand with less than 5 lbs of force without tight grasping. Can be operated with palm, elbow or forearm if user has a physical impairment. (Free, .5, .10, .25, .50)

**Hinges:** Full length, heavy duty, stainless steel piano type hinge.

**Locks:** Pin tumbler, commercial quality, keyed like all other AJW cabinets. \*(Coin box keyed differently then the door for security)

**Overall Size:** 13 1/2"W x 28"H x 6 1/2"D

**343mm x 711mm x 165mm**

**Wall opening:** 11 3/4"W x 26 1/4"H x 1" min-6"D max.

**298mm x 667mm x 25mm-152mm**

**Capacity:** Napkins: 30, Tampons: 27

**Verify Coinage:** Napkin \_\_\_\_\_ Tampon \_\_\_\_\_

**Recommended Package Sizes:**

**Napkins:**

**Min:** 2 5/8"W x 4 1/8"L x 3/4"H

**Max:** 3 1/8"W x 4 1/2"L x 1 1/8"H

**Tampons:**

**Min:** 5/8" Dia. x 4 1/4"L

**Max:** 3/4" Dia. 5 1/8"L

Coordinate installation with architect or contractor to avoid interference with pipes, vents, etc. Provide a rough wall opening 11 3/4"W x 26 1/4"H. Depth will vary per application. Place adjustable flange in opening and secure with proper fasteners per application. Insert cabinet into opening and secure. Fill each chute with the proper products and make certain to place weights on the top product. Test operation of mechanism and dispensing of product before securing cabinet. Each cabinet comes with a parts list for ordering replacement parts if ever required.

\*Note: Adjustable flange can be removed to make cabinet full surface mounted.

When mounted properly, unit will comply with ADA Code 4.27.4

## NOTES