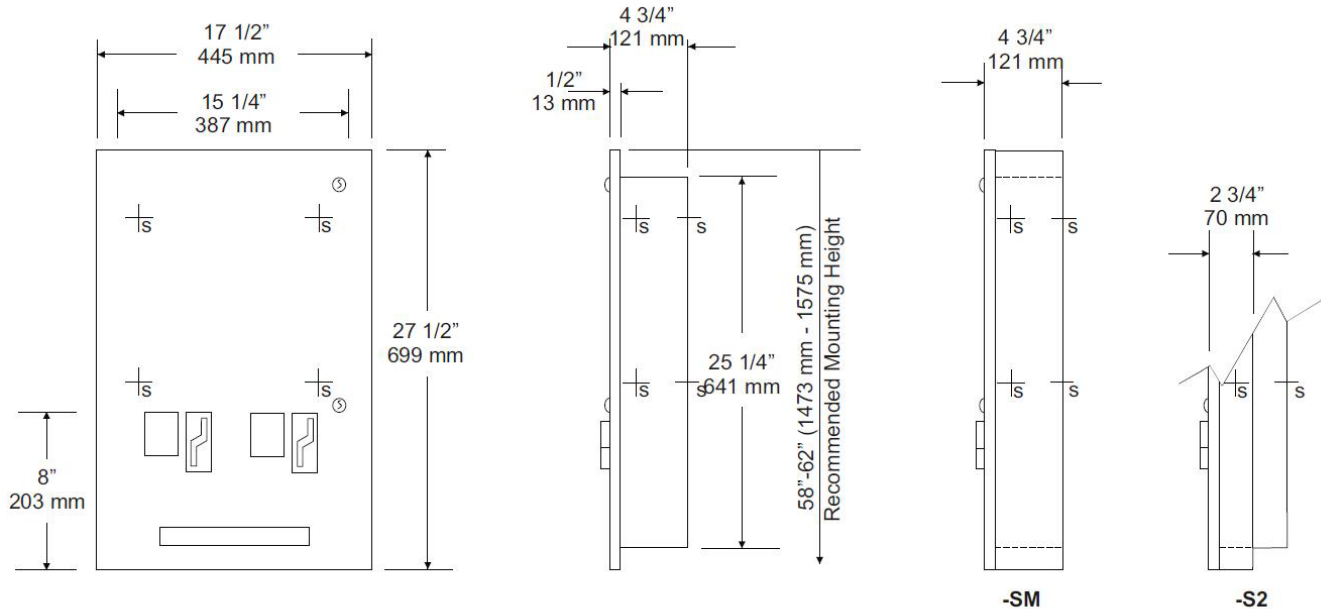


## U510 NAPKIN/TAMPON DISPENSER

Job #:

Item #:

Quantity:



**Door:** Type 304 #18 ga stainless steel with #4 satin finish. Door has 1/2" returns for rigidity.

**Body:** Type 304 #22 ga stainless steel with multiple welds to form a one piece construction.

**Coin Mechanisms:** Two independent, trouble free turn knob mechanisms, with an "EMPTY" indicator that does not allow coins to be inserted into mechanism when product has been depleted. Operational with one hand with less than 5 lbs (22.2n) of force without tight grasping. Can be operated with palm, elbow or forearm if user has a physical impairment. Available in Free., .10., .25, and .50 cent denominations with labels.

**Collars:** Type 304 #22 ga stainless steel with #4 satin finish to match cabinet.

**Hinges:** Full length, heavy duty, stainless steel piano type hinge.

**Locks:** Pin tumbler commercial quality keyed like all other A & J cabinets. Coin box is keyed differently for security.

**Overall Size:** 17 1/2"W x 27 1/2"H x 4 3/4"D

**445mm x 699mm x 121mm**

**Wall opening:** 15 3/4"W x 25 3/4"H x 4 1/4"D

**400mm x 654mm x 108mm**

**Capacity:** Napkins: 15, Tampons: 23

**Storage:** Napkins: 10, Tampons: 40

**Verify Coinage:** Napkin \_\_\_\_\_ Tampon \_\_\_\_\_

**Recommended Package Sizes:**

**Napkins:**

**Min:** 2 5/8"W x 4 1/8"L x 3/4"H

**Max:** 3 1/8"W x 4 1/2"L x 1 1/8"H

**Tampons:**

**Min:** 5/8" Dia. x 4 1/4"L

**Max:** 3/4" Dia. 5 1/8"L

**Coordinate installation with architect or contractor to avoid interference with pipes, vents, etc... Provide a rough wall opening 15 3/4"W x 25 3/4"H. Depth will vary per application. Insert cabinet into opening and secure with proper fasteners per application. Fill each chute with the proper products and make certain to place weights on the top product. Test operation of mechanism and dispensing of product before securing cabinet. Each cabinet comes with a parts list for ordering replacement parts if ever required. When mounted properly, unit will comply with ADA Code 4.27.4**

**U510-S2:** 2" collar when full recessing is not possible

**Wall Opening:** 15 3/4"W x 25 3/4"H x 2 1/4"D

**U510-SM:** Full surface mounted collar when recessing is not required.

### NOTES