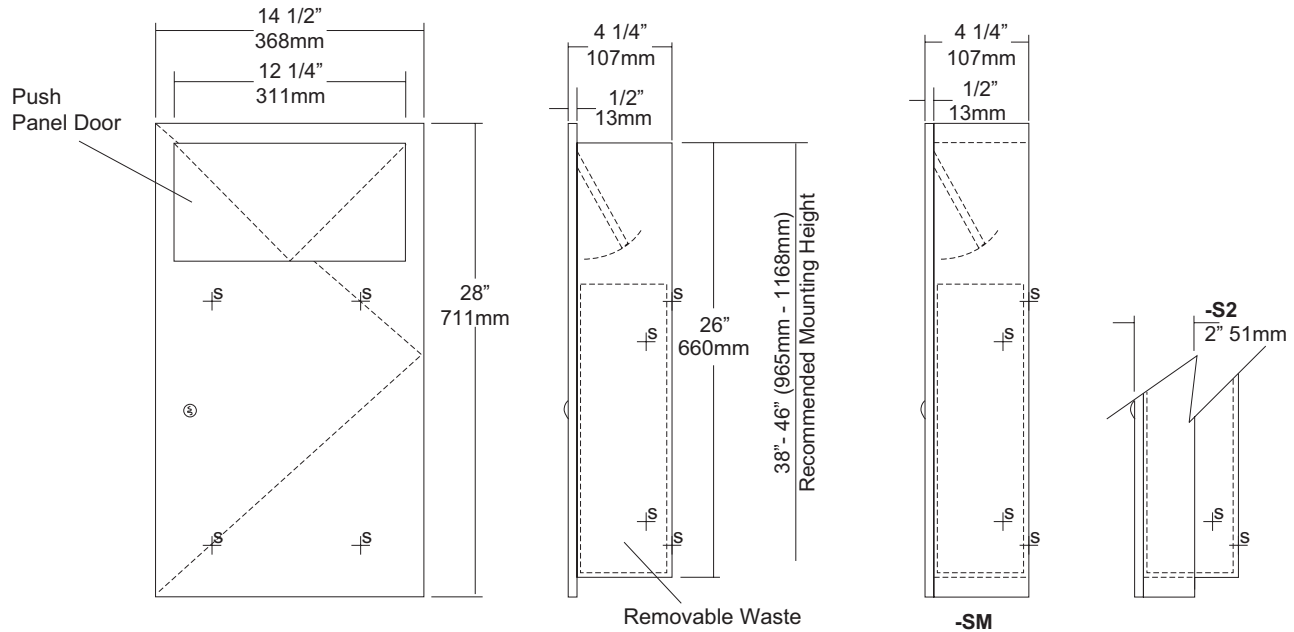


MOUNTING	HANDING	TYPE	SIZE	OTHER



SPECIFICATIONS

Body: Fabricated of #22 gauge stainless steel with #4 satin finish on all exposed areas.

Uni-Door: Fabricated of #18 gauge, one piece stainless steel secured to body by means of a full length heavy duty stainless steel piano type hinge.

Push Door: #22 gauge stainless steel self closing door.

Flange: #22 gauge stainless steel finished to match cabinet. One piece construction without miters or welds with 1/4" returns to wall.

Removable Waste: Heavy duty pre-plated steel with large service handle for easy servicing.

Back: Fabricated of stainless steel formed for rigidity with multiple welds to cabinet.

Locks: Pin tumbler commercial quality type, keyed like all other A&J cabinets.

Collars: #22 gauge stainless steel sized and finished to match cabinet, surf mount & semi-rec.

Overall Size: 14 1/2"W x 28 1/4"H x 4 1/4"D
368mm x 717mm x 107mm

Wall Opening: 12 3/4"W x 26 1/2"H x 4"D
323mm x 673mm x 101mm

U4424-S2: 2" Semi-rec. collar with 2" w/o

U4424-SM: Surface Mounted

Waste Capacity: 3 gallons (.4 cu ft)

INSTALLATION

Coordinate installation with architect and contractor. Provide a wall opening 12 3/4"W x 26 1/2"H. Wall depth will vary will vary if collars are required. Open bottom door and remove waste from cabinet and insert in wall opening. Secure unit with proper fasteners per each application. Make sure unit is plumb. After unit has been secured, place waste back into cabinet and secure door.

NOTES