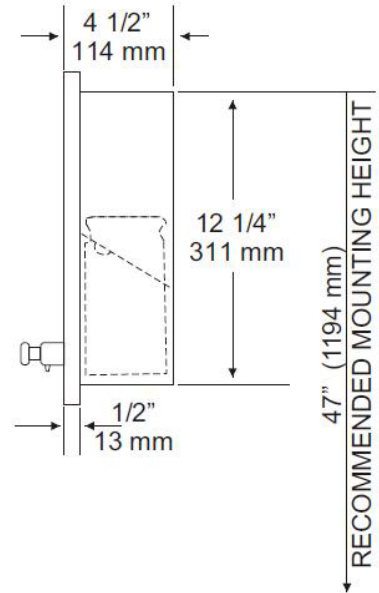
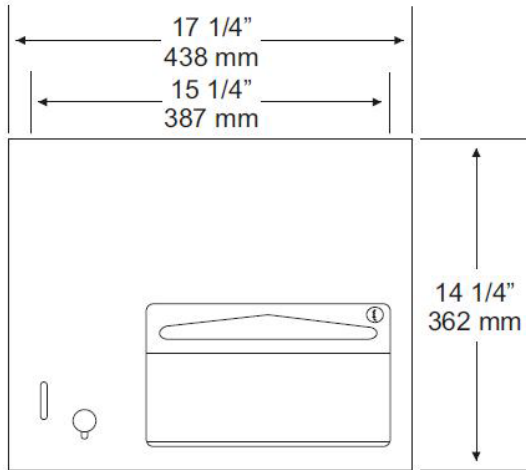




U2614 (U1614)
PAPER TOWEL & SOAP DISPENSER

Job #:
Item #:
Quantity:

MOUNTING	HANDING	TYPE	SIZE	OTHER



SPECIFICATIONS	INSTALLATION
----------------	--------------

Unit-Door: Fabricated of type 304 #18 gauge stainless steel with a #4 satin finish and 1/2" returns to wall surface. Viewer for soap level is notched out of face.

Body: Fabricated of type 304 #22 gauge stainless steel.

Towel Dispenser: Hemmed edges prevent injury and towel tearing.

Valve: All purpose highly polished chrome on brass valve with stainless steel return spring and bellows valve design provides a drip free operation.

Globe: Large capacity corrosion resistant globe with screw cap allows easy access for servicing unit.

Hinges: heavy duty stainless steel piano type hinge.

Lock: Pin tumbler commercial quality lock keyed like all other A&J cabinets.

U2614: recessed Unit-Door Towel and Soap Dispenser.

Overall Size: 17 1/4"W x 14 1/4"H x 4 1/2"D
438mm x 362mm x 108mm

Wall Opening: 15 3/4"W x 12 3/4"H x 4"D
400mm x 324mm x 102mm

Capacity: Towels: 475 Multifold
Soap: 34 fluid oz.

Coordinate installation with architect or contractor to avoid interference with pipes, vents, etc... Provide a rough wall opening 15 3/4" x 12 3/4" x 4". Open cabinet door making sure unit is level in opening and secure with proper fasteners per application. After unit has been mounted properly, fill towel chute and soap dispenser with desired or specified product. Close and secure cabinet door. Check soap dispenser for maintaining proper prime after globe is filled each time.

***It is not recommended to mount any soap dispenser on Mirrors.**

****For best performance, use pre-mixed low concentrated solutions. Dispensers should have periodic maintenance performed by rinsing out dispenser with warm water. This will avoid sludge buildup.**

NOTES