



U237AW

Roll Towel Dispenser

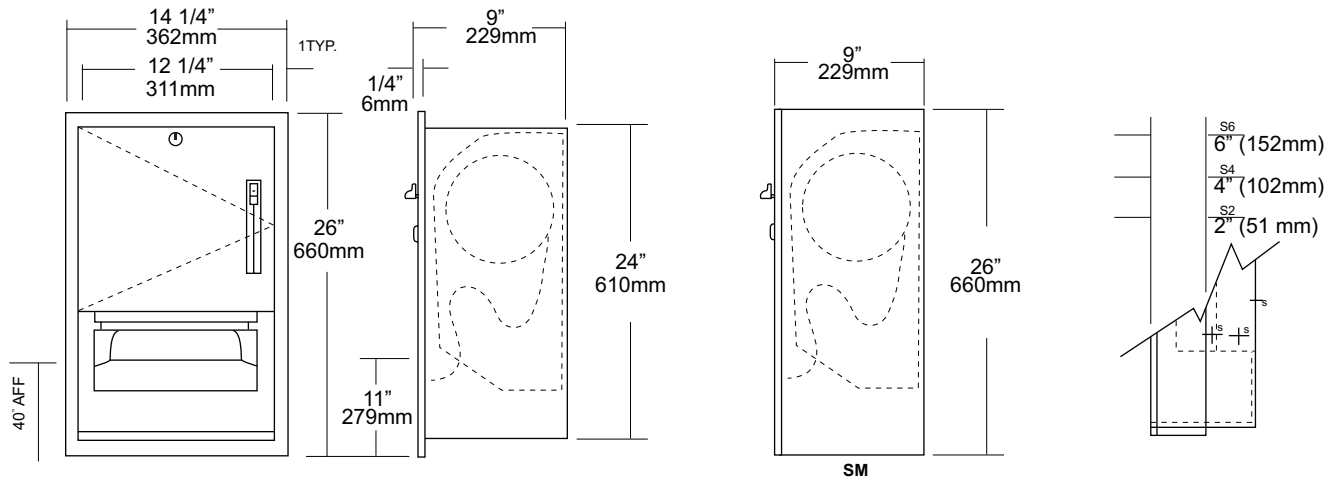
Revision 10/14

JOB #:

ITEM #:

QUANTITY:

MOUNTING	HANDING	TYPE	SIZE	OTHER



SPECIFICATIONS

Cabinet: Fabricated of type 304 #22 ga stainless steel.

Flange: Fabricated of type 304 #22 gauge stainless steel one piece construction with 1/4" returns for maximum strength. No visible miters or seams.

Cabinet Back: Type 304 #22 gauge stainless steel secured to body with multiple welds.

Door: Type 304 #22 gauge stainless steel secured to cabinet body by means of a full length, heavy duty stainless steel piano type hinge along with a pin tumbler type lock, keyed like all other A&J cabinets.

Towel Dispenser: Roll towel mechanism is fabricated of #20 ga steel formed for rigidity, Unit will accommodate one 8" or 9" wide roll with a max OD of 7 7/8", Towel length dispensed has three adjustable settings, Lever is activated with one hand and less than 5 lbs of force.

Collars: Type 304 #22 gauge stainless steel, one piece construction finished to match cabinet body.

Overall Size: 14 1/4"W x 26"H x 9"D
362mm x 660mm x 229mm

Wall Opening: 12 3/4"W x 24"H x 8 3/4"D
324mm x 610mm x 222mm

U237AW-S2: Semi-recessed with 7" (178mm) wall opening

U237AW-S4: Semi-recessed with 5" (127mm) wall opening

U237AW-S6: Semi-recessed with 3" (76mm) wall opening

U237AW-SM: Surface mounted

Capacity: One standard size roll of 8" or 9" wide. (Use only non-perforated towels). One stub roll up to 2 3/4" OD

***600ft roll recommended for best results.**

INSTALLATION

Coordinate installation with architect and contractor to avoid interference with pipes, vent, etc. in wall. Provide rough wall opening 12 3/4" W x 24" H, Insert unit in opening making sure unit is plumb. Secure cabinet with proper fasteners per application. Follow paper loading instructions inside cabinet. Test dispenser for operation. Close cabinet door and secure after testing is complete.

NOTES