

U114PC

Vanity Mounted Soap Dispenser

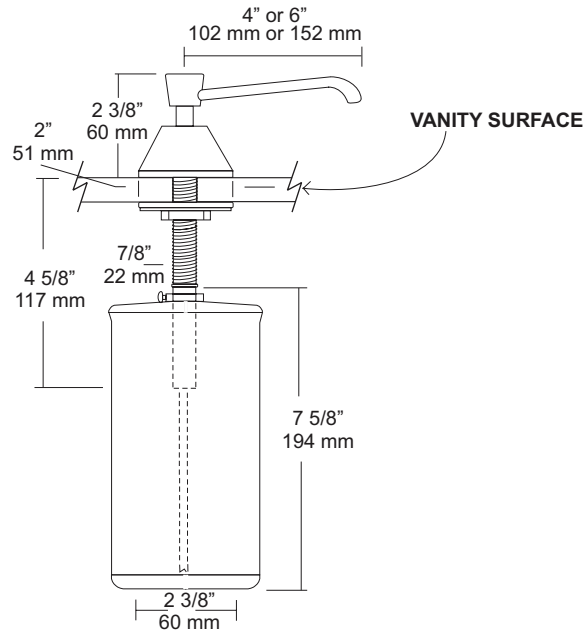
Revision 03/11

JOB #:

ITEM #:

QUANTITY:

MOUNTING	HANDING	TYPE	SIZE	OTHER



SPECIFICATIONS

- Piston & Spout:** Highly polished chrome on brass. Assembly rotates 180 degrees.
- Flange & Collar:** One piece construction fabricated of highly polished chrome on brass.
- Shank:** One piece construction fabricated of chrome on brass. Unit can be cut in field to conditions under vanity if required.
- Globe:** 22 ounce stainless steel globe.
- Recommend liquid and lather type soaps with low viscosity without chloric solutions for proper operation.**
- *All vanity soap dispensers are designed to be serviced above the counter**

INSTALLATION

- Provide a 7/8" diameter opening in the vanity or basin. Insert shank assembly through cut out and secure with supplied washers and wing nut. Connect supply tube with valve making sure notched end is at the bottom. Secure globe and collar to shank. Fill globe above the vanity. Secure the upper assembly to shank. Prime the dispenser every time you service or remove the upper assembly from unit.
- **For best performance, use pre-mixed low concentrate solutions. Dispensers should have periodic maintenance performed to insure the life dispenser. Rinse out globe and valve with warm water to avoid sludge buildup.**
- Preventative Maintenance:** Each dispenser should be flushed out aprx. Every 30 days with warm water to prevent valve from; clogging with old soap, Abrasive cleaners should not be used when wiping down dispenser.

NOTES