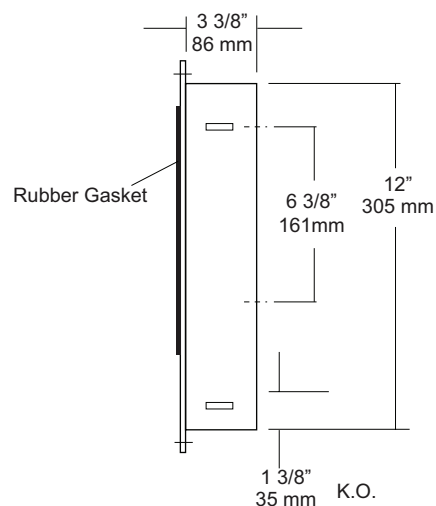
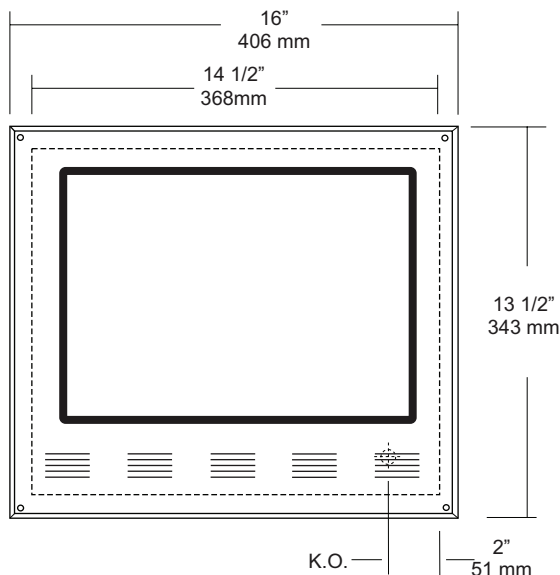




**U021**  
 Semi-Recessing Kit for U1521EA Hand  
 Dryer  
 Revision 03/11

JOB #:  
 ITEM #:  
 QUANTITY:

MOUNTING	HANDING	TYPE	SIZE	OTHER



**SPECIFICATIONS** **INSTALLATION**

**This semi-recessing kit will convert a U1521EA surface mounted hand / dryer to semi-recessed to comply with 4" projection for ADA code. Surface mounted dryer can be converted to semi-recessed with the use of this kit.**

**Semi-recessing kit:** (U021) #20 ga 8B finish cover plate with louvers. Galvanized steel recessed box that dryer base is mounted on allows semi-recessing with maximum projection of 4" to comply with code.

**Overall Size:**  
**Face Plate:** 16"W x 13 1/2"H  
**Recessing Box:** 11 1/4"W x 15 3/4"x 3 1/2"D

Coordinate installation with architect, contractor and licensed electrician. Provide wall opening per 14 5/8"W x 12 1/8"H x 3 1/2"D (max). Face plate provides air flow through louvers and a finished appearance.

**NOTES**

Formerly Model #: U021A