

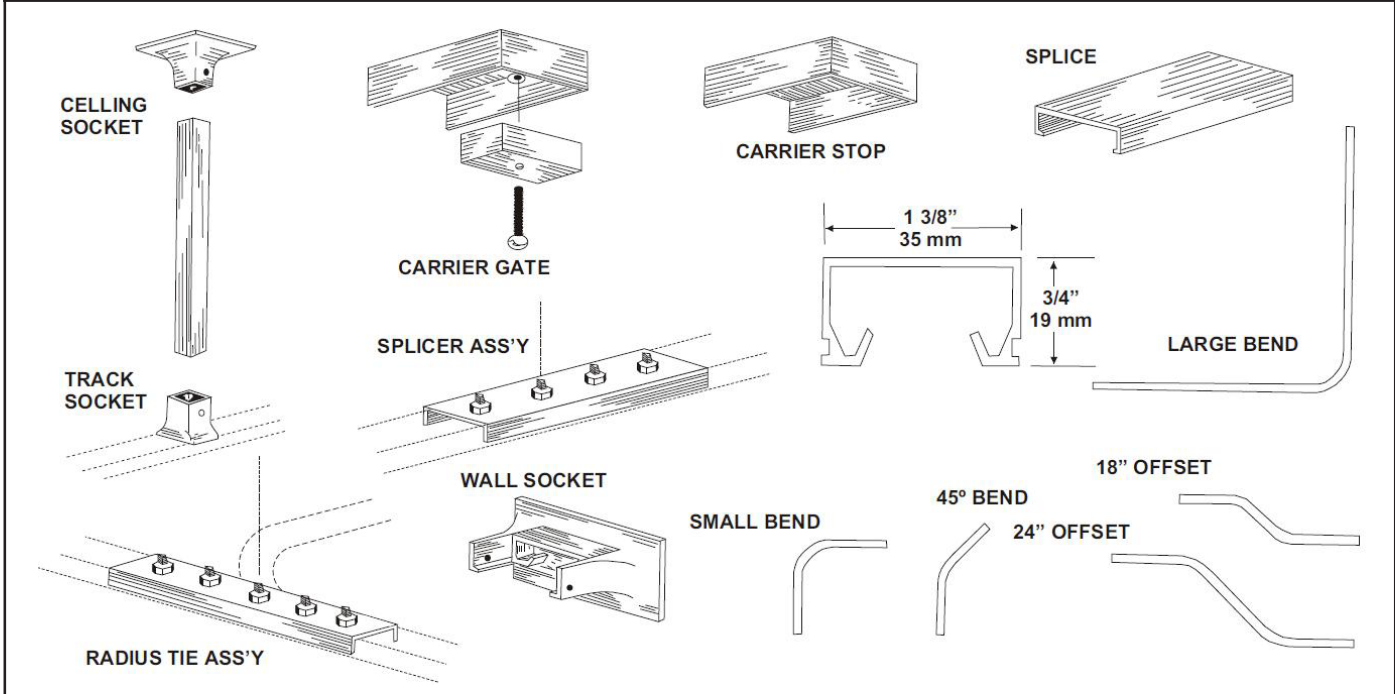
UXTRK SHOWER TRACKING AND ACCESSORIES

Job #:

Item #:

Quantity:

MOUNTING	HANDING	TYPE	SIZE	OTHER
----------	---------	------	------	-------



SPECIFICATIONS

Shower Tracking: Dual channel track, fabricated of extruded aluminum alloy in a white anodized finish. Track dimensions are 1 3/8" W x 3/4" D with a minimum wall thickness of .062". Standard track mounts directly to ceiling. If track design is any other than straight, a drawing must be supplied with sizes and angles.

Overhead Support: Allows shower tracking to be suspended below ceiling. Supports are fabricated of same material as tracking.

UX62N: Nylon roller hooks, nickel plated brass bead chain and hook assembly.

250X Polyester/Mesh Curtain: Flame resistant curtain, highly durable and resistant to abrasions. Easily laundered up 160 degrees F, no ironing necessary. 100% nylon washable mesh that is flame retardant. Mesh openings are aprx 1/2" to allow air flow and water spray in case of a fire. Standard width of mesh is 21". Ceiling height along with W xH curtain sizes must be supplied.

Size of track: _____ Qty: _____

_____ Qty: _____

Size of curtain: W _____ x H _____ Qty: _____

W _____ x H _____ Qty: _____

Hooks: _____

INSTALLATION

Mark a path on ceiling lightly where track is to be mounted. Drill holes where track and or supports will be secured to ceiling. All splices and angles will be supplied.

Hooks must be installed before radius tie assembly's and carrier gates are installed. To calculate the hooks, one hook is required every 6" plus one for the end. After hooks and all other accessories have been mounted, connect the curtain to the hooks. Test the path of hooks with curtain after everything has been assembled.

NOTES