

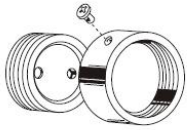
## ROD AND FLANGES SHOWER CURTAINS

Job #:

Item #:

Quantity:

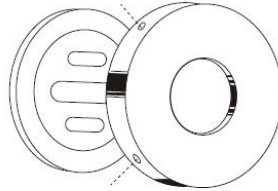
MOUNTING	HANDING	TYPE	SIZE	OTHER



STYLE A



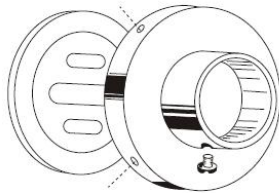
STYLE B



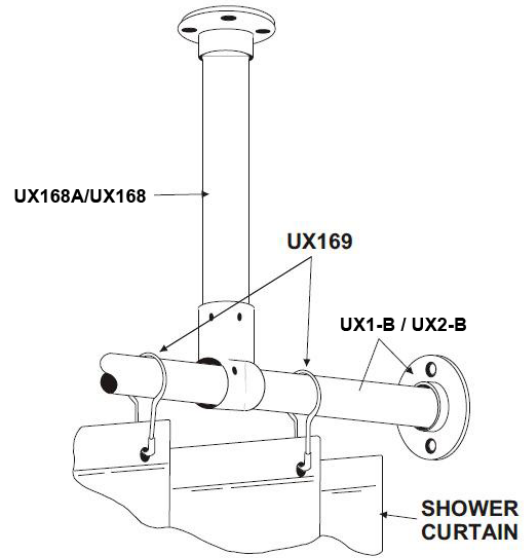
STYLE C



STYLE E



STYLE H



### SPECIFICATIONS

**Shower Curtain Rods:** Type 304 #18 ga stainless steel with a #4 satin finish. Rods are available with 1" or 1 1/4" diameter (25mm or 32mm).

**UX1:** 1" diameter (verify flanges)

**UX2:** 1 1/4" diameter (verify flanges)

**Standard Lengths:** 36", 48", 60", 72"  
(914mm, 1219mm, 1524mm, 1892mm)

**\*Other sizes available on request\***

**Overhead Supports:**

**UX168:** Will support 1" diameter shower rod.

**UX168A:** Will support 1 1/4" diameter shower rod.

(Verify length of each support from ceiling to shower rod)

**STYLE LENGTH QTY**

\_\_\_\_\_

\_\_\_\_\_

\_\_\_\_\_

\_\_\_\_\_

### INSTALLATION

Verify the length of the shower curtain required per application and the height each rod is to be mounted at. Place shower rod flanges against mounting surface and transfer mounting points to wall surface. Drill pilot holes and secure one flange with proper fasteners. Insert shower rod into mounted flange, slide other flange on rod and secure to opposite wall. Snap the shower curtain hooks over the rod (Recommend UX169 hooks) and secure curtain to hooks. (Note: See tech data sheet for shower curtains)

**\*NOTE:** It is recommended rods over 72" be equipped with an overhead support.

### NOTES