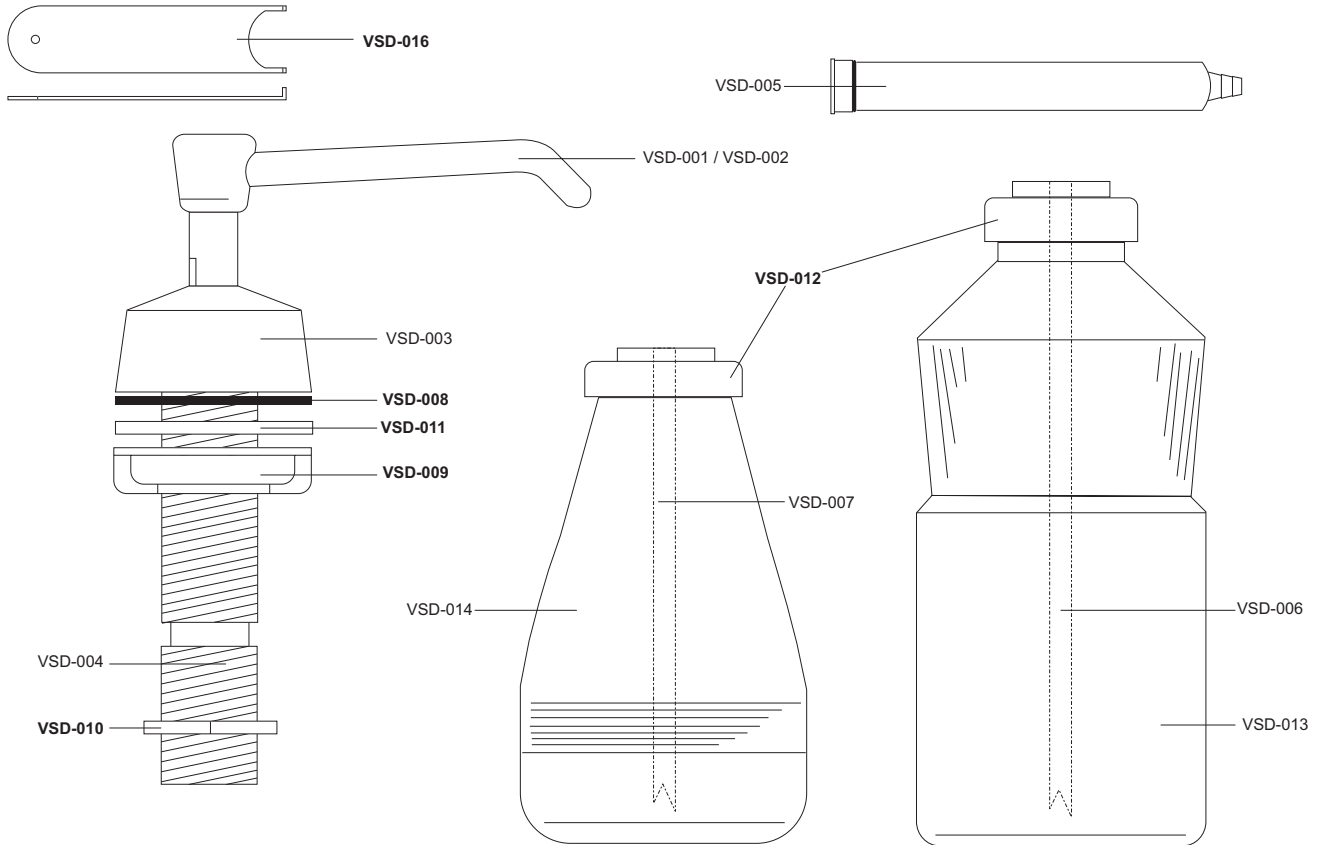


Vanity Mounted Soap Dispensers

Part Diagram



Part Number	Part Description
VSD-001	4" spout for U128PC/U129PC
VSD-002	6" spout for U128PCA/U129PCA
VSD-003	Flange collar
VSD-004	Shank assembly
VSD-005	Valve assembly
VSD-006	Supply tube for 34 oz globe
VSD-007	Supply tube for 16 oz globe
VSD-008	Rubber washer
VSD-009	Wing nut
VSD-010	Hex Nut
VSD-011	Metal washer
VSD-012	Globe collar
VSD-013	34 oz poly globe
VSD-014	16 oz poly globe
VSD-015	Installation Kit (VSD-008, VSD-009, VSD-010, VSD-011, VSD-016)
VSD-016	Service Key