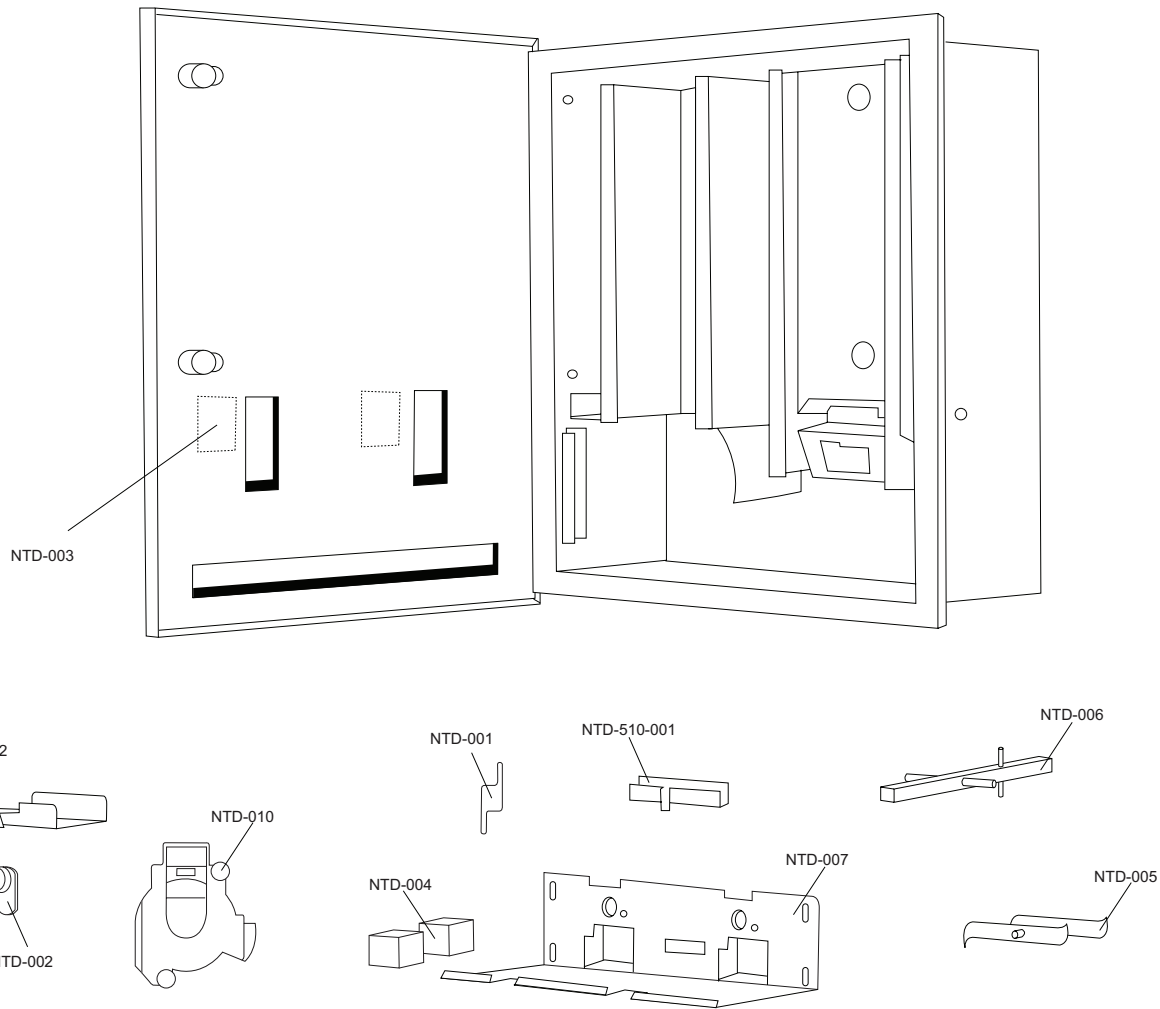


## U510 Part Diagram



| Part Number | Part Description                      |
|-------------|---------------------------------------|
| NTD-001     | Turn knob with set screw              |
| NTD-002     | HL100 coin box lock & key             |
| NTD-003     | Coin & denomination label             |
| NTD-510-001 | Tampon weight                         |
| NTD-510-002 | Napkin weight                         |
| NTD-004     | Coin box                              |
| NTD-005     | Napkin rotor cam                      |
| NTD-006     | Tampon cam drive rod                  |
| NTD-007     | Chassis plate assembly                |
| NTD-010     | Coin mechanism (.10, .25, .50 & Free) |