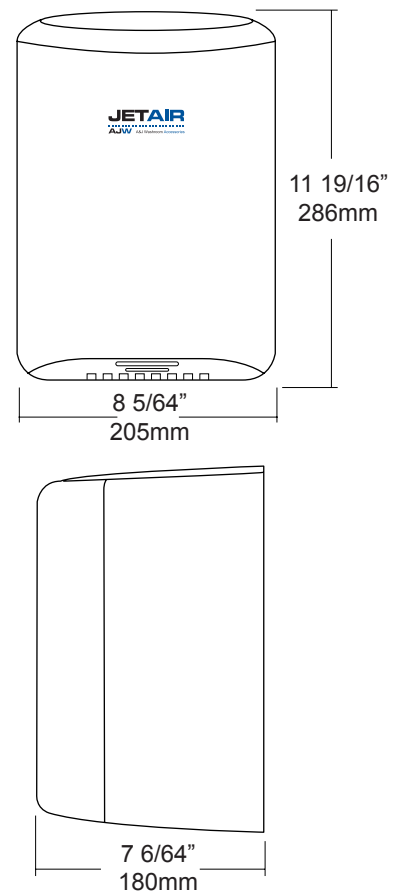


U1512EA

HIGH SPEED AUTOMATIC HAND DRYER

A&J Washroom Accessories
509 Temple Hill Road
New Windsor, NY 12553-5532
P. (845) 562-3332 | F. (845) 562-3391



FEATURES

- Quick drying: less than 15 seconds
- Operates automatically using infrared sensor with auto-resetting thermostat
- 60-Second automatic shutoff
- Cover fabricated of heavy duty, one-piece formed steel
- Energy efficient, drawing only 1.6 kilowatts
- Powerful .937hp motor
- Thermal protection system prevents dryer from overheating

JETAIR

AJW A&J Washroom Accessories

www.ajwashroom.com

U1512EA

A&J Washroom Accessories
509 Temple Hill Road
New Windsor, NY 12553-5532
P. (845) 562-3332 | F. (845) 562-3391

HIGH SPEED AUTOMATIC HAND DRYER

SPECIFICATIONS

- Operating Voltage: 110-120VAC or 220-240VAC with 50/60 HZ, 1.34-1.6 kW
- Warm Air Speed Output: 168-224 mph (75-100 m/s), adjustable
- Air Output Temperature: 113°F (45°C) – Ambient Temp. 68°F (20°C)
- Air Output Volume: 51-68 CFM (87-116 m³/h)
- Motor Type: .937hp, 350-700W, 12000- 18000 RPM, adjustable; brushed, dual ball bearings
- Motor Thermal Protection: Auto resetting thermostat turns unit off at 221°F (105°C)
- Heater Element: 450 - 900 W, adjustable
- Heater Thermal Protection: Auto resetting thermostat turns unit off at 149°F (65°C)
- Drying Time: Less than 15 seconds
- Sensor Range: 2" to 13" (51mm to 330mm), adjustable; standard 7" (18cm ± 2cm)
- Timing Protection: 60 second auto shut off
- Cover: One piece formed steel
- Warranty: 5 year limited warranty
- Shipping Weight: 13.7 lbs. (6.2kg)
- Unit Size: 8 5/64"W x 11 19/64"H x 7 6/64"D (205mm x 287mm x 180mm)

MOUNTING HEIGHTS

Dryer Application	Height
Men	43" (117cm)
Women	41" (112cm)
Children (ages 11-17)	39" (112cm)
Children (ages 3-10)	33" (81 cm)
ADA Compliance	35" (94cm)



To ensure proper function, Hand dryer must be installed by qualified licensed electrician

JETAIR

AJW A&J Washroom Accessories

www.ajwashroom.com