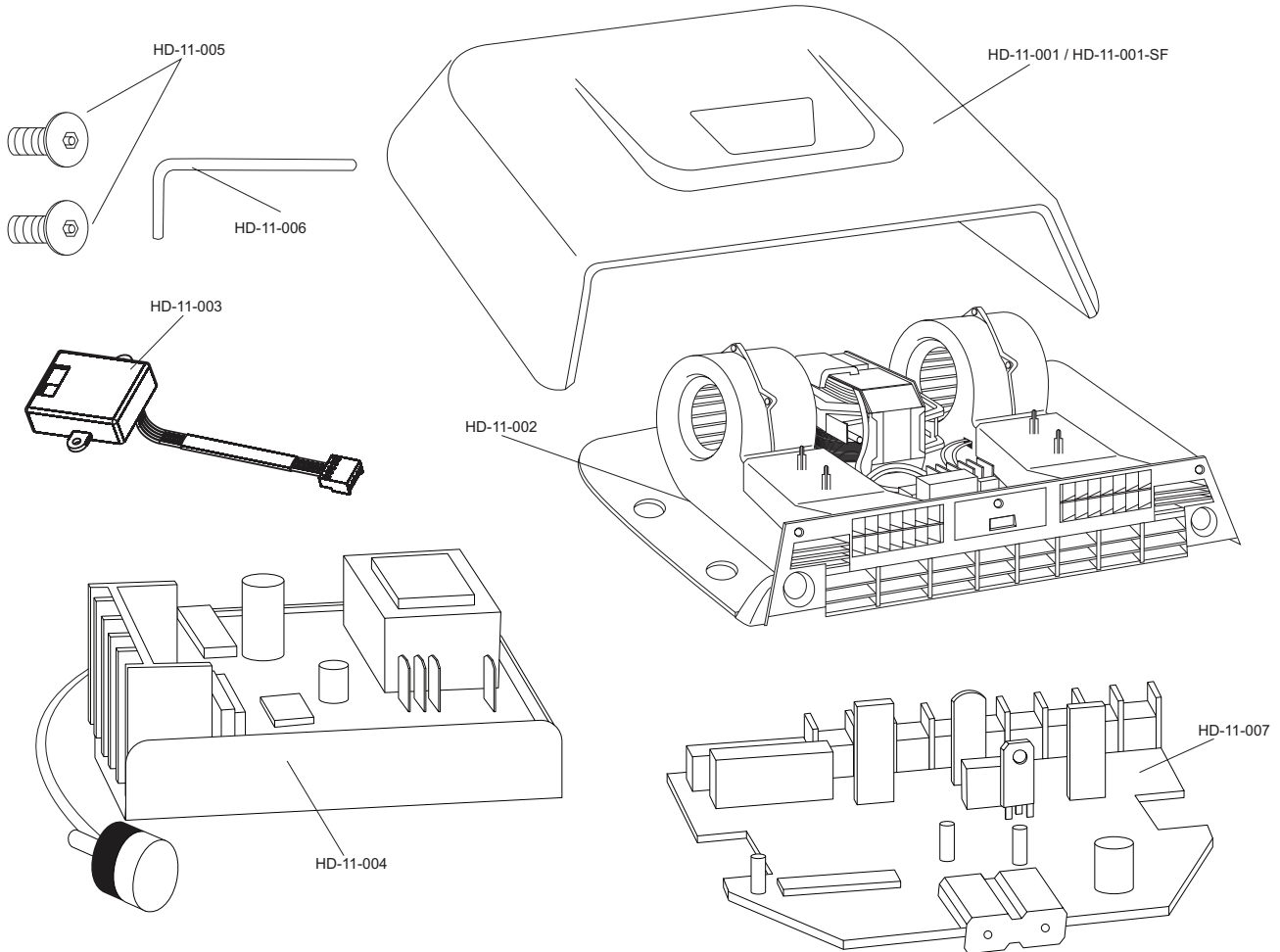


# U1511EA Hand Dryer

## Part Diagram



Part Number	Part Description
HD-11-001 / HD-11-001-SF	White powder coated cover for U1511EA (Satin finish: HD-11-001-SF)
HD-11-002	Heating element for U1511EA.
HD-11-003	Automatic sensor for U1511EA
HD-11-004	Modular for U1511EA hand dryer
HD-11-005	Theft resistant fasteners for U1511EA
HD-11-006	Key for theft resistant fasteners
HD-11-007	Circuit Board