



**U943**  
Removable Tub Seat

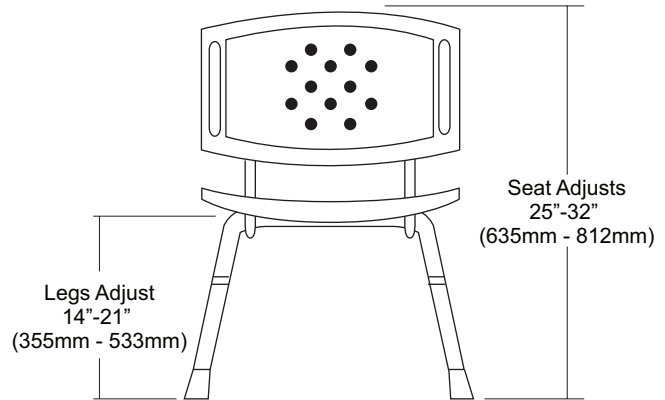
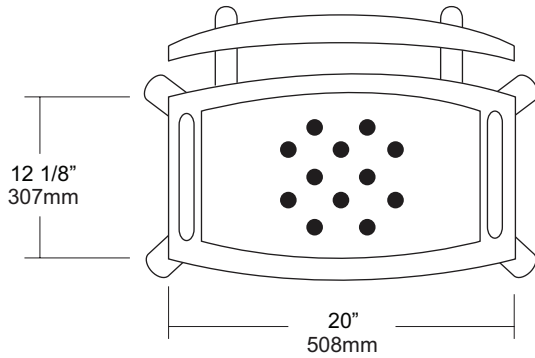
Revision 05/12

JOB #:

ITEM #:

QUANTITY:

MOUNTING	HANDING	TYPE	SIZE	OTHER



**SPECIFICATIONS**

**Bench / Backrest:** Fabricated of polyethylene, blow molded plastic seat with drainage holes and hand grips.  
**Frame:** Constructed of 1"OD anodized aluminum with rubber anti slip feet. Seat is constructed to withstand up to 250 lbs of a static load.  
**Overall Size:** 20"W x 12 1/8"D (seating area) 508mm x 267mm  
**Adjustable Height:** Seat: 14" - 21" (356mm-533mm)  
**Adjustable backrest:** 25" - 32" (635mm - 812mm)

**INSTALLATION**

Since this is a removable tub seat, no hardware or wall openings are required. Do not stand on seat.

**NOTES**