



U792 Series

Surface Mounted Tray

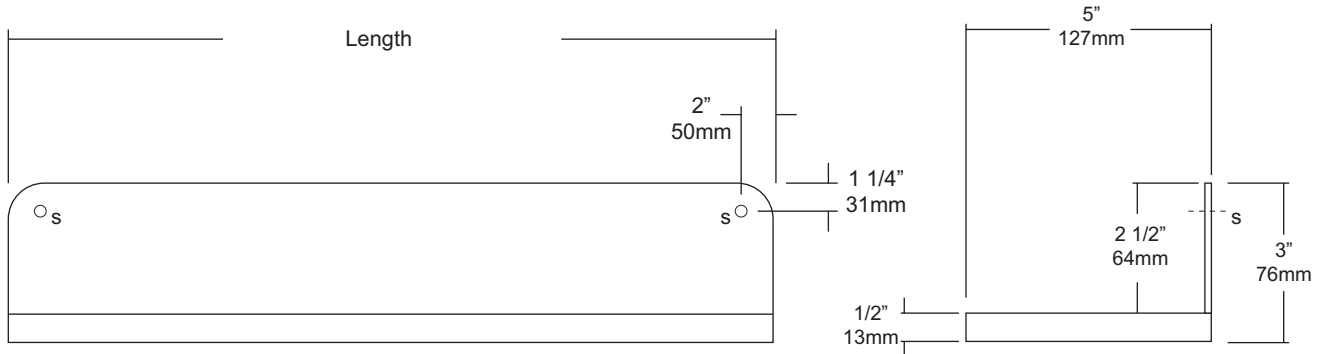
Revision 03/11

JOB #:

ITEM #:

QUANTITY:

MOUNTING	HANDING	TYPE	SIZE	OTHER



SPECIFICATIONS

Shelf: Fabricated of #18 ga with a #4 satin finish on all exposed surfaces. Backsplash is 2 1/2" high. All edges are turned down 1/2" with front edge turned down and back for maximum rigidity. All corners are polished smooth.

Standard Lengths: 12", 16", 18", 24", 30", 36"

Shelf Depth: 5"

Shelf can be mounted in tandem with U704 mirror.

INSTALLATION

Provide an area on wall surface at desired or specified location. Transfer mounting point locations on shelf indicated by "s" on drawing to mounting surface. Mount and secure unit to wall surface. Coordinate installation with architect or contractor to avoid interference with pipes, vents, etc. in wall.

NOTES