



UX250W

Shower Curtain

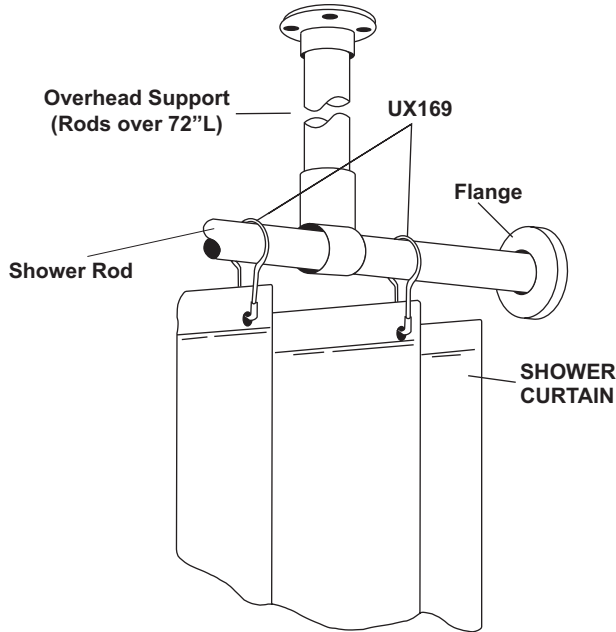
Revision 11/15

JOB #:

ITEM #:

QUANTITY:

MOUNTING HANDING TYPE SIZE OTHER



SPECIFICATIONS

Curtain: White duck, 8 mil, washable duck, bleached, pre-shrunk, and topical water repellent finish. Fully reinforced, wide top hem and reversed bottom hem to prevent water and soap from collecting. Each is equipped with rust proof nickel grommets spaced aprx. 6" on center and down 3/4" from top edge. When determining size of curtain required, consider the desired fullness and add 10" to the shower rod length.

Curtain Hooks (UX169): Unit is constructed of stainless steel. Ring snaps around the shower rod to support curtain. Spacing of hooks is every 6" and can be installed on both 1" & 1 1/4" diameter rods.

***UX1-V/UX2-V:** Overhead s/s supports for oversized shower rods. (For shower rods over 72" in length an overhead support is recommended)

UX1-V: 1" OD shower rods.

UX2-V: 1 1/4" OD shower rods.

INSTALLATION

Recommended: UX169 stainless steel shower curtain hooks to connect to AJW shower curtain rods. Various types of flanges are available to secure rod and curtain to mounting surface (exposed and concealed).

Measuring Curtains: Curtains are measured W x H. The same curtain will fit a 1 or 1 1/4" diameter rod.

NOTES

Formerly Model #: 250W