

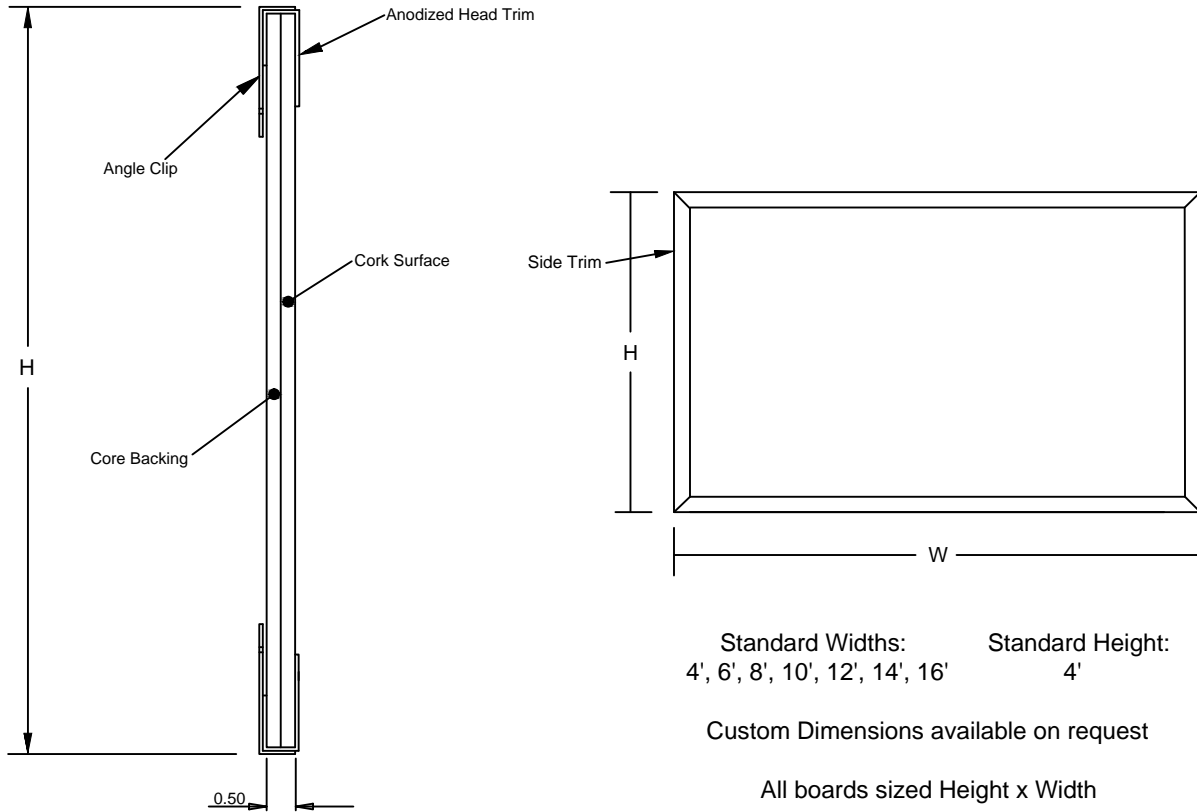


**N21W-0N Series**  
 Tackboard, Hardboard Core, Wide Trim,  
 No Tray, No Maprail, Natural Cork

Job #:

Item #:

Quantity #:



Standard Widths: 4', 6', 8', 10', 12', 14', 16'      Standard Height: 4'

Custom Dimensions available on request

All boards sized Height x Width

Drawing is for assembly description only.  
 Components are not to scale for clarity purposes.

- Core Backing:** 1/4" Hardboard.
- Tackable Surface:** 1/4" Natural Cork.
- Trim:** 1 1/4" Wide Flat Trim - Anodized Aluminum.
- Tray:** None.
- Maprail:** None.
- Tackable Maprail Insert:** N/A.

• All aluminum extrusions have a minimum thickness of 0.062"